





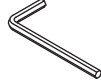





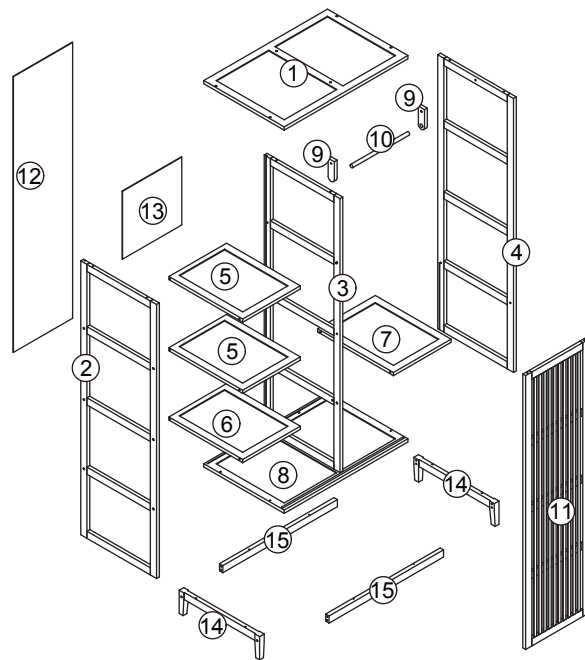


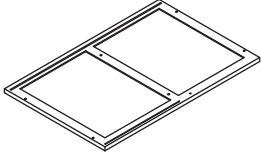
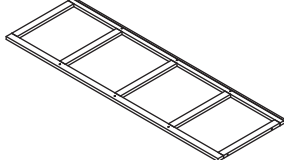
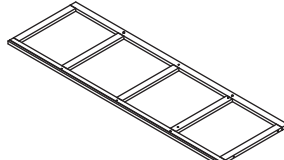
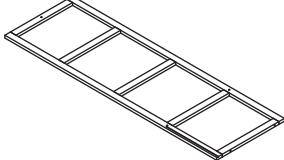
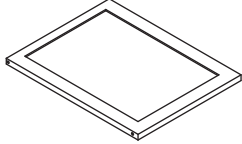
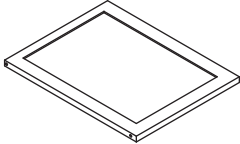
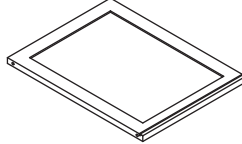
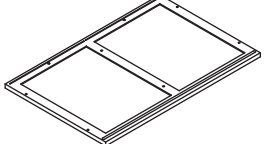

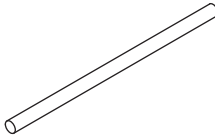
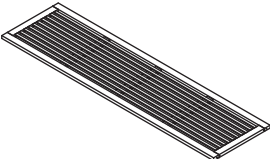
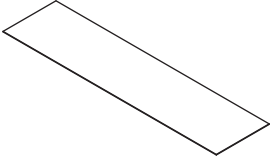
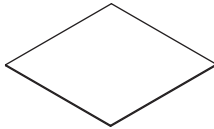
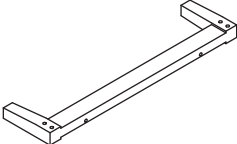
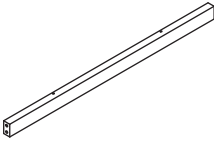
# ASSEMBLY INSTRUCTIONS

**FUTON**  
C O M P A N Y

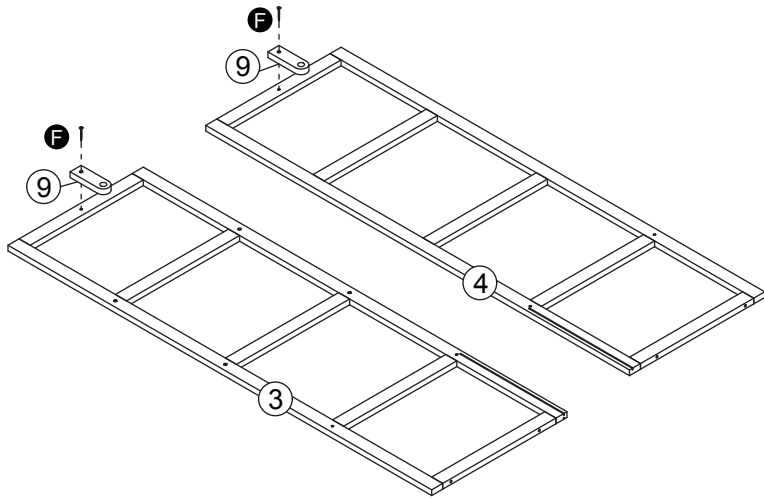
ST WARD SURAT SLD

|   |          |        |       |   |          |          |      |
|---|----------|--------|-------|---|----------|----------|------|
|  | <b>A</b> | 5x55mm | 8PCS  |   | <b>F</b> | 4x25mm   | 6PCS |
|  | <b>B</b> | 5x35mm | 22PCS |  | <b>G</b> | 20x130mm | 1PC  |
|  | <b>C</b> | 6x30mm | 6PCS  |  | <b>H</b> |          | 1PC  |
|  | <b>D</b> |        | 1PC   |  | <b>I</b> |          | 1PC  |
|  | <b>E</b> | 3x12mm | 4PCS  |  | <b>J</b> |          | 1PC  |
|   |          |        |       |  | <b>K</b> |          | 2PCS |
|   |          |        |       |  | <b>L</b> |          | 2PCS |

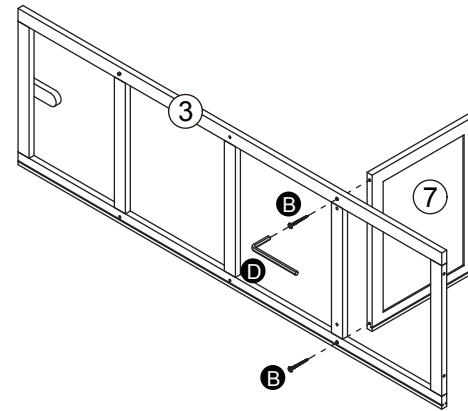


|   |           |     |   |           |      |   |           |      |
|---|-----------|-----|---|-----------|------|---|-----------|------|
|    | <b>1</b>  | 1PC |    | <b>2</b>  | 1PC  |    | <b>3</b>  | 1PC  |
|    | <b>4</b>  | 1PC |    | <b>5</b>  | 2PCS |    | <b>6</b>  | 1PC  |
|    | <b>7</b>  | 1PC |    | <b>8</b>  | 1PC  |    | <b>9</b>  | 2PCS |
|   | <b>10</b> | 1PC |   | <b>11</b> | 1PC  |   | <b>12</b> | 1PC  |
|  | <b>13</b> | 1PC |  | <b>14</b> | 2PCS |  | <b>15</b> | 2PCS |

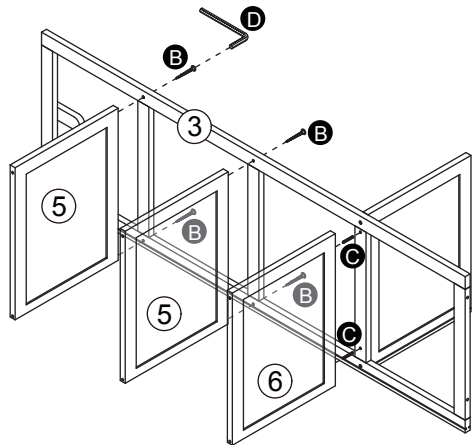
STEP 1



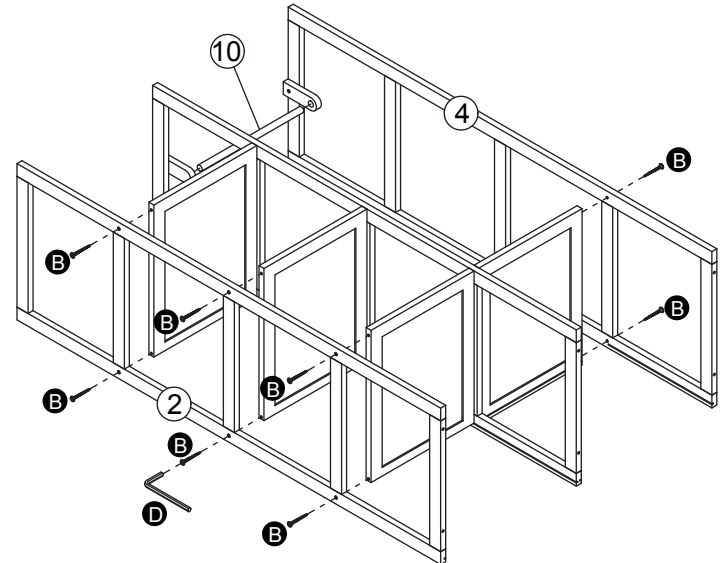
STEP 2



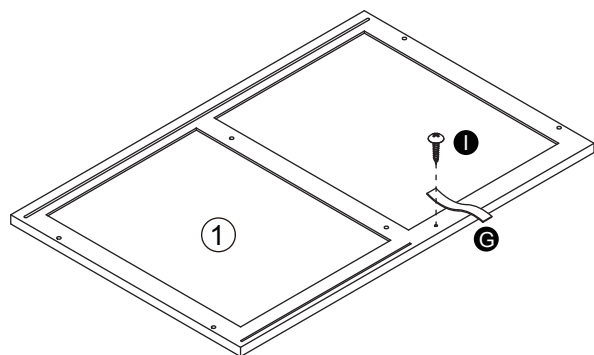
STEP 3



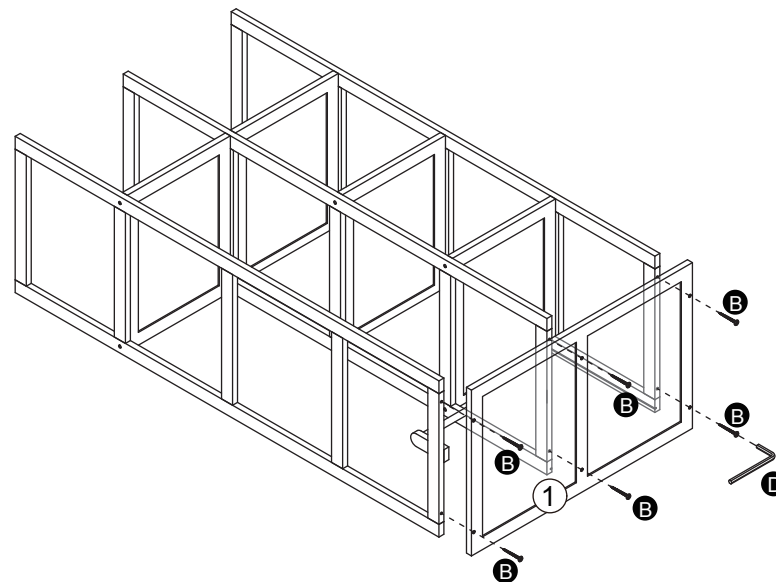
STEP 4



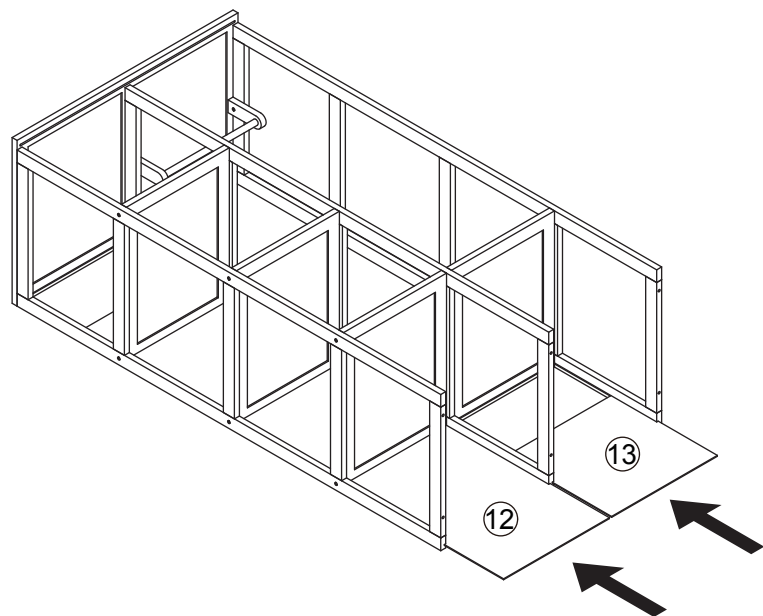
STEP 5



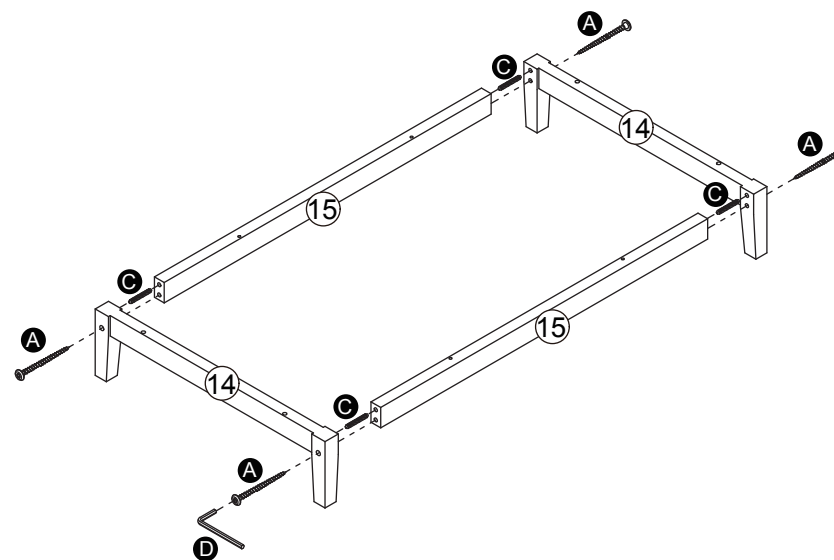
STEP 6



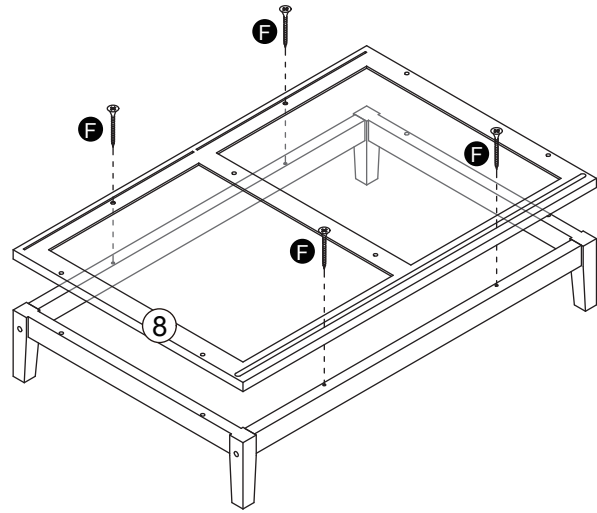
STEP 7



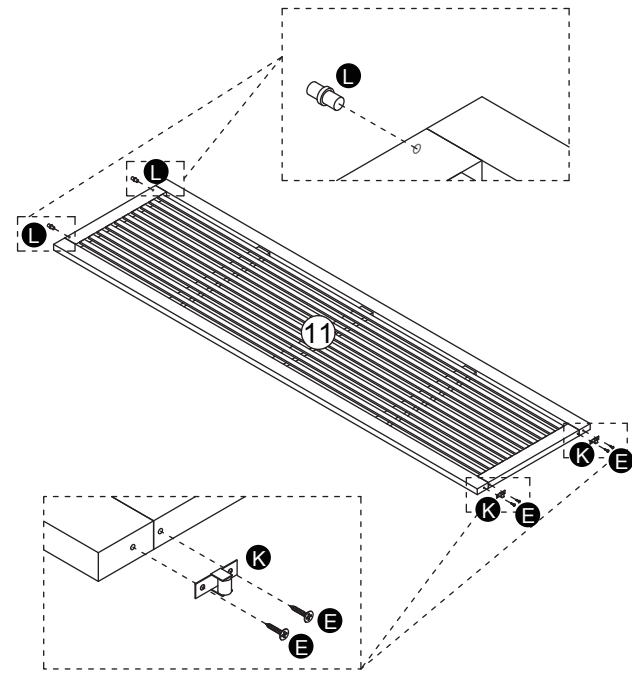
STEP 8



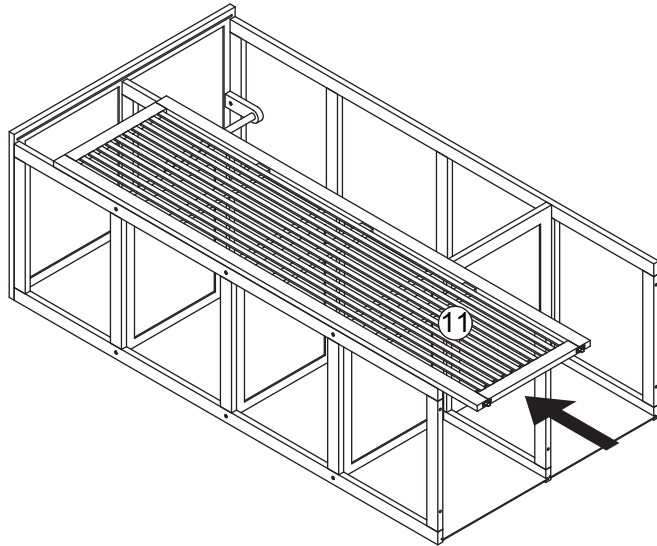
STEP 9



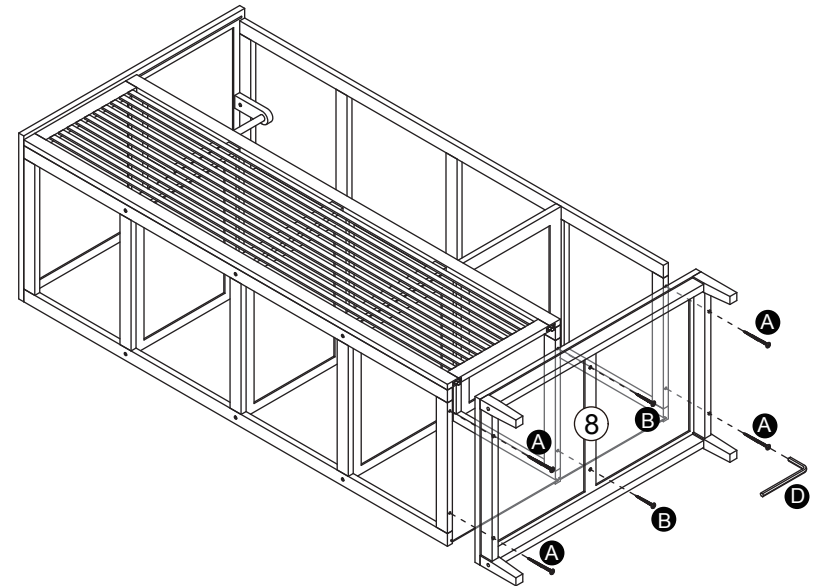
STEP 10



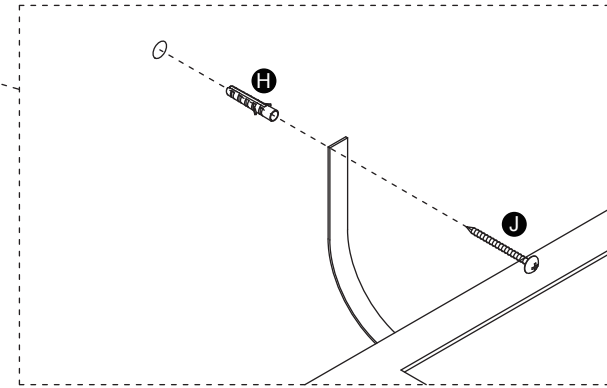
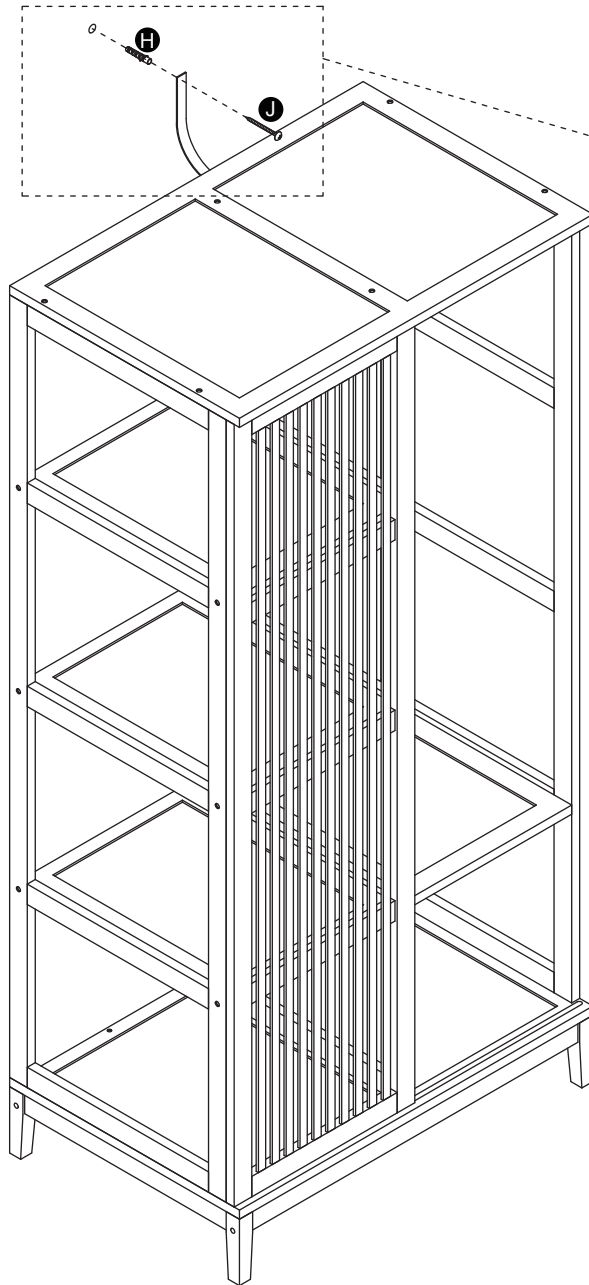
STEP 11



STEP 12



## STEP 13



Follow this step to fix your wardrobe to the wall.  
Fixing to secure your wardrobe to the wall is standard fitting.  
For details on suitable fixing for your wall type seek advice  
from your local specialised hardware store.  
For safety reasons, we advise you to fix this item to the wall.  
Never allow children to climb on furniture.

- Regularly check that anchors are securely maintained
- Stability of tall items may be affected by thick pile carpet or uneven floors
- Do not place unanchored televisions on furniture  
Caution: for your safety when attaching the anchor fixings please note the following:
- Check any electrical wires or plumbing inside the wall before drilling any holes(if you are unsure please seek professional advice from a qualified tradesperson)