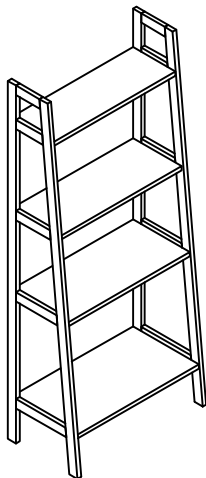


# Assembly Instructions



## Storage - Shelf Iso Wide Oak

ROPO no:



**PLEASE READ THESE INSTRUCTIONS VERY CAREFULLY BEFORE YOU BEGIN, TO ENSURE THAT YOUR FUTON COMPANY PRODUCT WILL GIVE YOU MANY YEARS OF SATISFACTION**

Thank you for buying a Futon Company product.

We are constantly striving to improve everything we do, but occasionally mistakes do occur. In the unlikely event that you find any part missing, please call your nearest Futon Company store and we will arrange for the despatch of an immediate replacement. Please keep all packaging until you have checked every part and assembly of your Futon Company product is complete.

Version number: 2 Product code: ST SHELF ISO OAK WDE Date: 23/04/2022

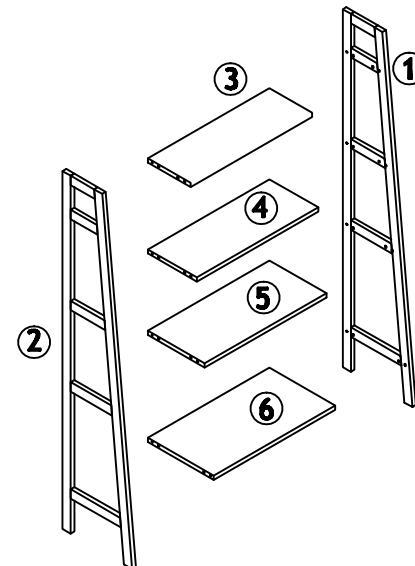
*experts in small space living*



### Parts Checklist





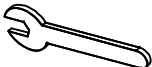


Please count and check every component very carefully before you begin

- ① Left Side x 1
- ② Right Side x 1
- ③ Shelf A (205 mm) x1
- ④ Shelf B (243 mm) x1
- ⑤ Shelf C (278 mm) x1
- ⑥ Shelf D (323 mm) x1



### Fittings Checklist

Please count and check every component very carefully before you begin

-  **a) (8x30) Wooden Dowel x 8**
-  **b) Bolt x 16**
-  **c) Pressure Plate x 16**
-  **d) Nut x 16**
-  **e) Small Spanner x 1**
-  **f) (6x30) Wooden Dowel x 8**
-  **g) Felt Protector pad x 4**

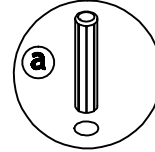
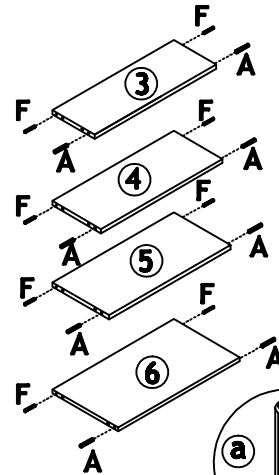
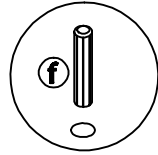
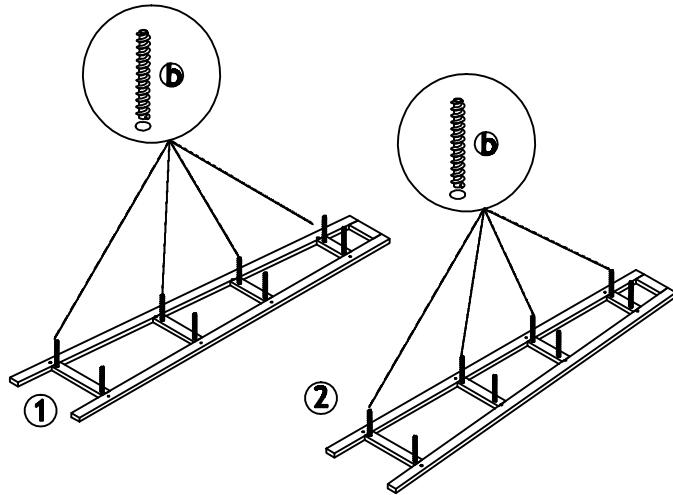


# How To Assemble Your Shelf

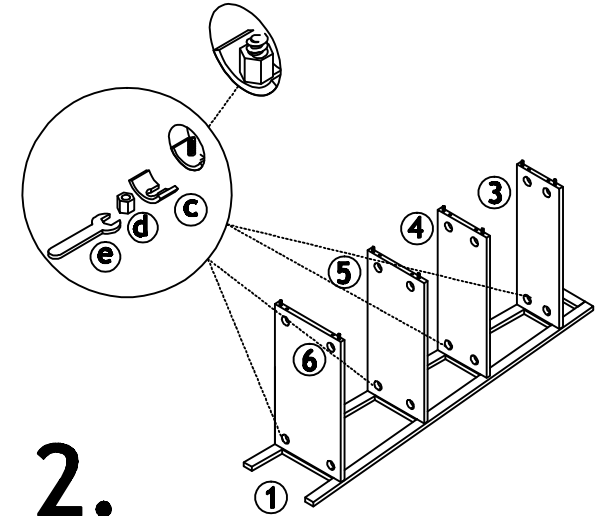
Please follow these instructions carefully

# FUTON

C O M P A N Y



# 1.



# 2.



# How To Use

Please read carefully

## FINISH

Your Shelf is made from solid Oak and Oak veneer

## CARE

To clean your Shelf, wipe with a damp cloth followed by a dry cloth.

## IMPORTANT

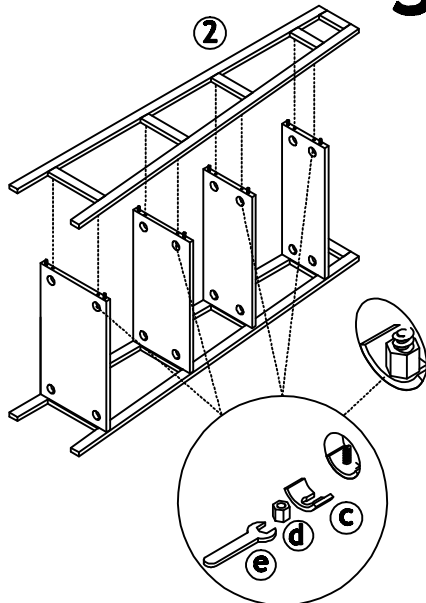
To ensure maximum performance from this product, we advise that you check and tighten all bolts and screws on a regular basis to avoid damage and strain to parts.

## GUARANTEE

This instruction leaflet forms part of your guarantee. Please retain it. The ROPO number along with your invoice number will need to be quoted in all correspondence with Futon Company.

Thank you for choosing Futon Company.

# 3.



# 4.

