

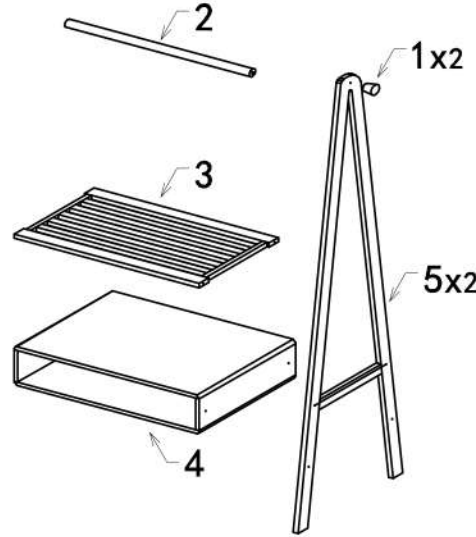
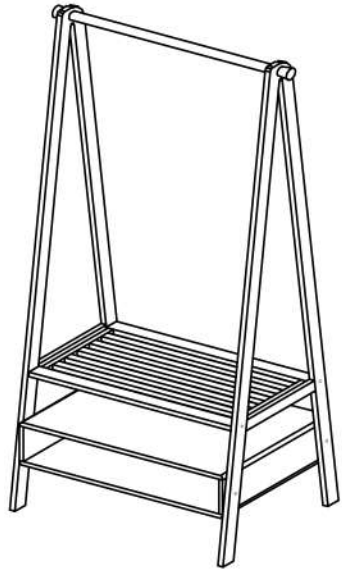
ASSEMBLY INSTRUCTION

FUTON
C O M P A N Y

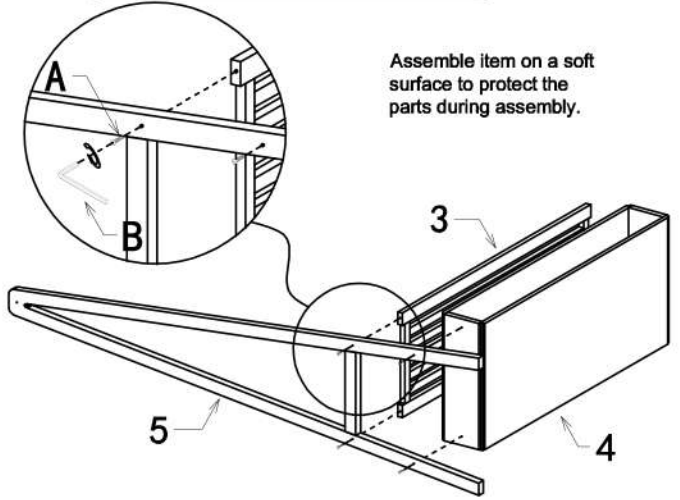
PRODUCT CODE :ST WARD AXIS
PO NUMBER:10185

HARDWARE
LIST

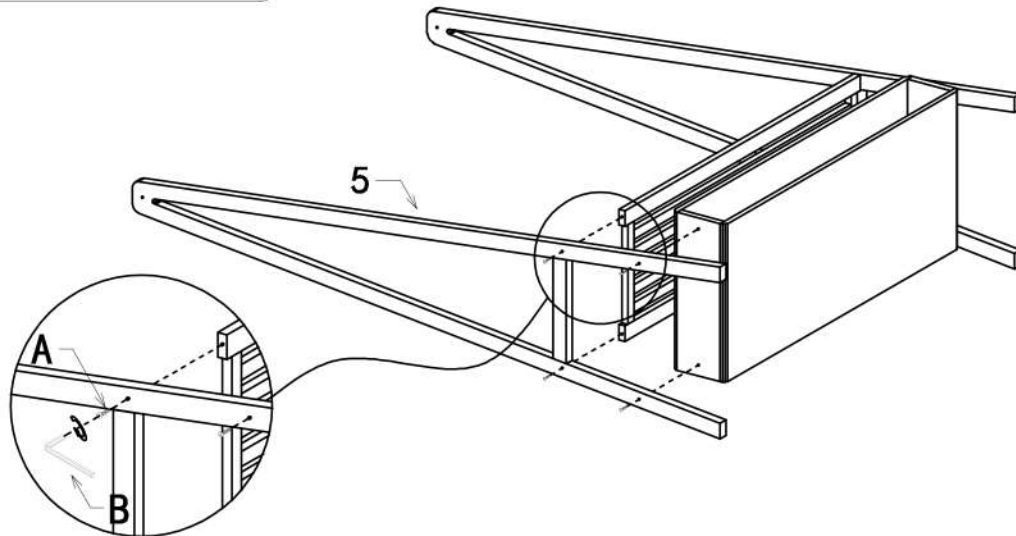
PARTS LIST



01



02



03

