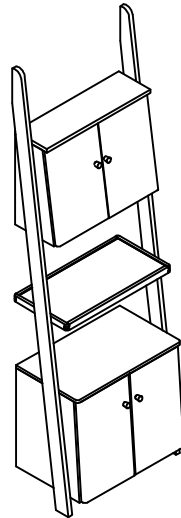


## Assembly Instructions

### Shelving - Oak Rounded Leaning Drinks Cabinet

ROPO no:



**PLEASE READ THESE INSTRUCTIONS VERY CAREFULLY BEFORE YOU BEGIN, TO ENSURE THAT YOUR FUTON COMPANY PRODUCT WILL GIVE YOU MANY YEARS OF SATISFACTION**

Thank you for buying a Futon Company product.

We are constantly striving to improve everything we do, but occasionally mistakes do occur. In the unlikely event that you find any part missing, please call your nearest Futon Company store and we will arrange for the despatch of an immediate replacement. Please keep all packaging until you have checked every part and assembly of your Futon Company product is complete.

Version number: 2    Product code: ST LN DRINKS CAB    Date: 25/12/21

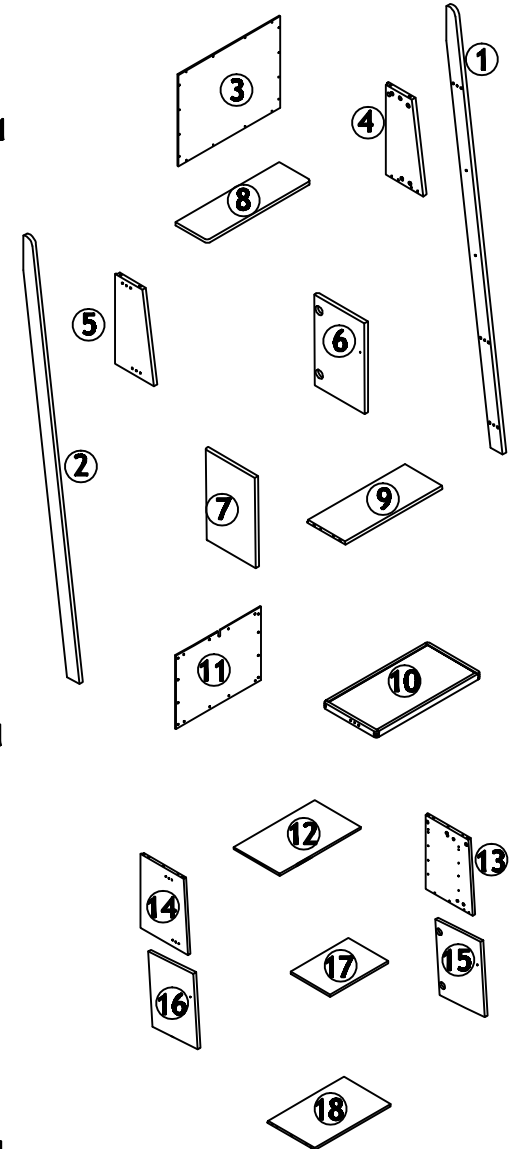
*experts in small space living*



## Parts Checklist

Please count and check every component very carefully before you begin

- ① Right side rail x 1
- ② Left side rail x 1
- ③ Upper Cabinet Back Board x 1
- ④ Upper Cabinet Right Side x 1
- ⑤ Upper Cabinet Left Side x 1
- ⑥ Upper Cabinet Right Door x 1
- ⑦ Upper Cabinet Left Door x 1
- ⑧ Upper Cabinet Top x 1
- ⑨ Upper Cabinet Bottom x 1
- ⑩ Middle Shelf x 1
- ⑪ Lower Cabinet Back Board x 1
- ⑫ Lower Cabinet Top x 1
- ⑬ Lower Cabinet Right Side x 1
- ⑭ Lower Cabinet Left Side x 1
- ⑮ Lower Cabinet Right Door x 1
- ⑯ Lower Cabinet Left Door x 1
- ⑰ Lower Cabinet Middle Shelf x 1
- ⑱ Lower Cabinet Lower Cabinet Bottom x 1





# Fittings Checklist

Please count and check every component very carefully before you begin



**a** Small Wooden Dowel x 10



**b** Allen Head Bolt x 20



**c** Allen Key X 1



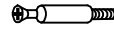
**d** Anti-slip pad x 4



**e** Wall Bracket x 1



**f** Screw x82



**g** Cam Bolt x 20



**h** Cam x 20



**i** Hinge x 8



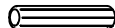
**j** Shelf Support x 4



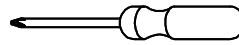
**k** Door knob x 4



**m** Long Screw x 4



**n** Long Wooden Dowel x 12

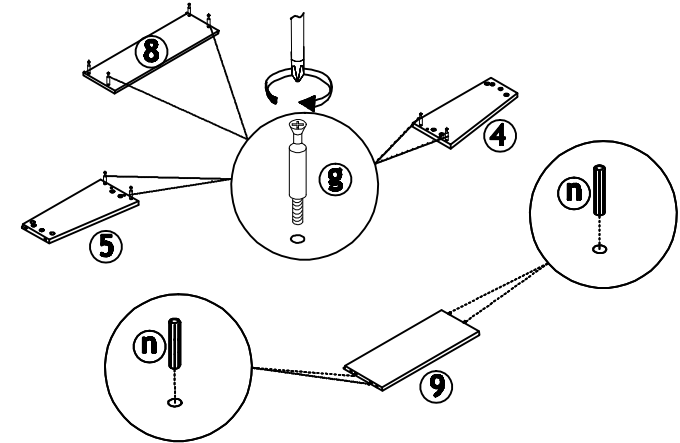


\* Cross head Screwdriver also required for assembly



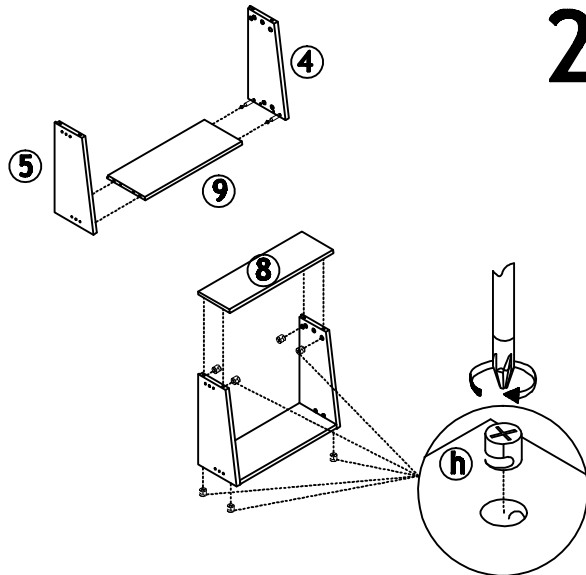
# How To Assemble Your Cabinet

Please follow these instructions carefully

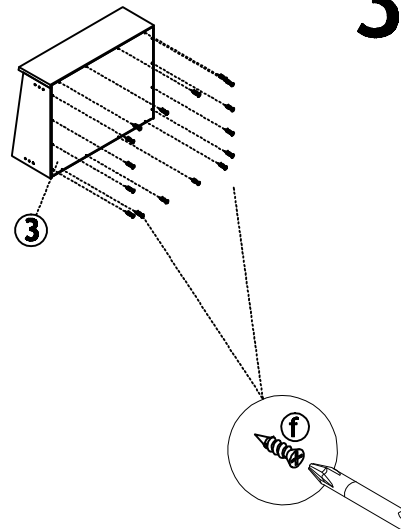


1.

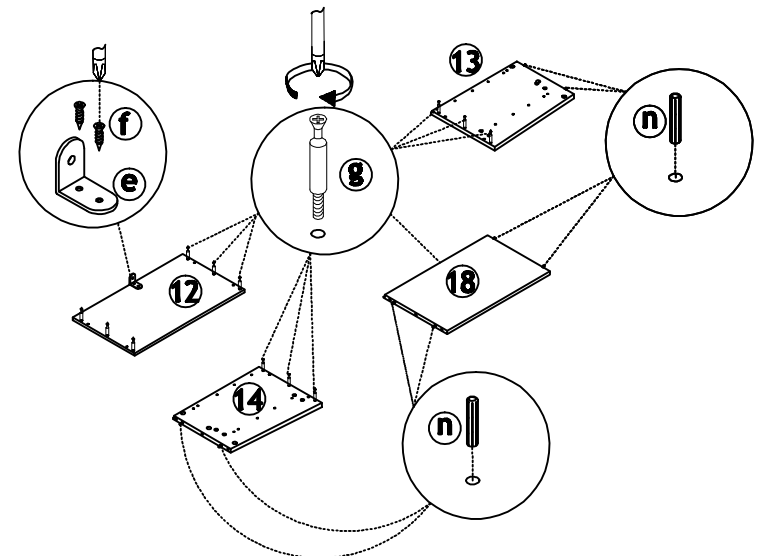
4.



2.



3.



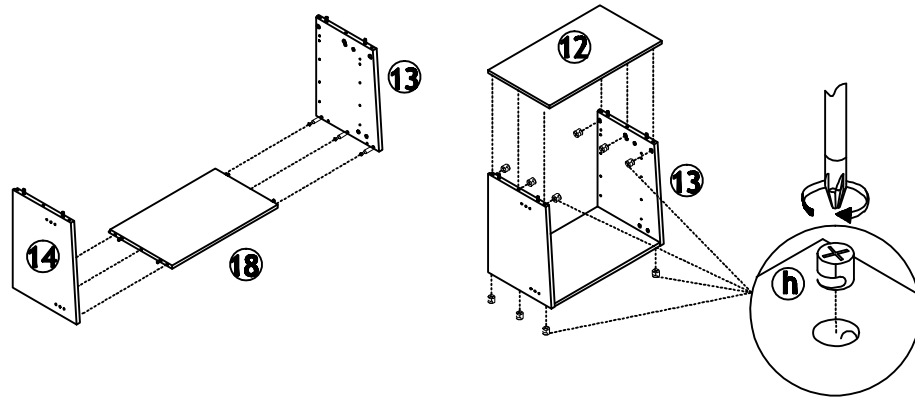


# How To Assemble Your Cabinet

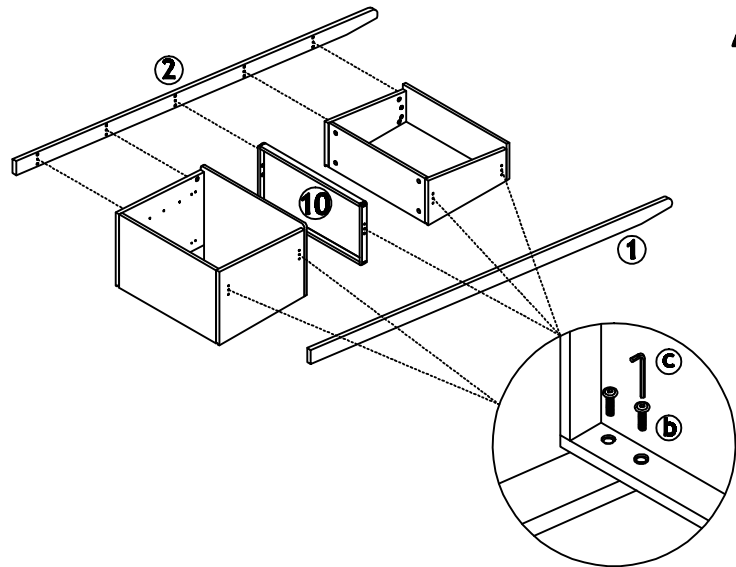
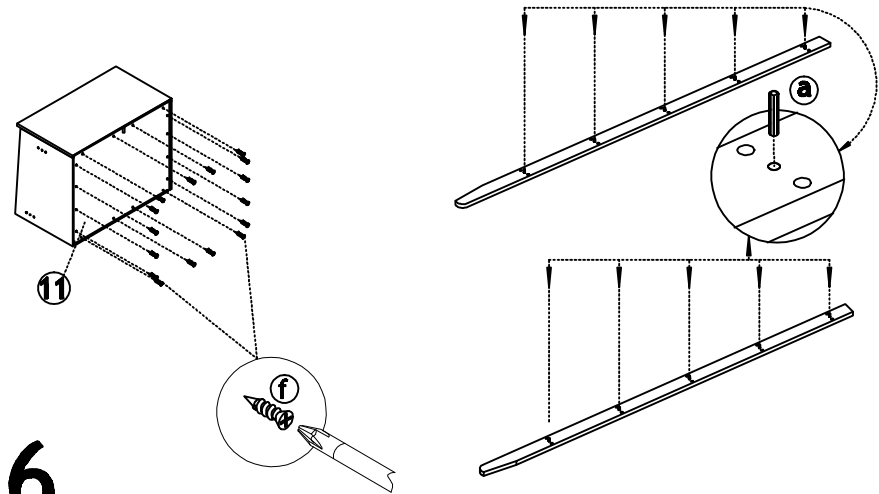
Please follow these instructions carefully

# FUTON

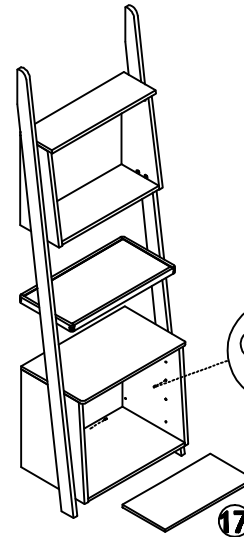
C O M P A N Y



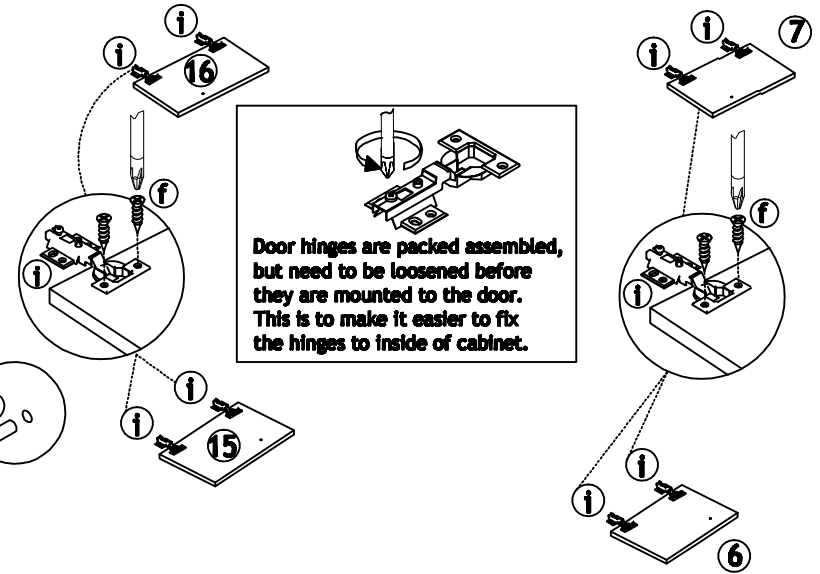
5. 6.



7. 8.



Place shelf before fitting doors.



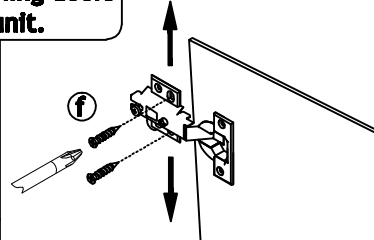
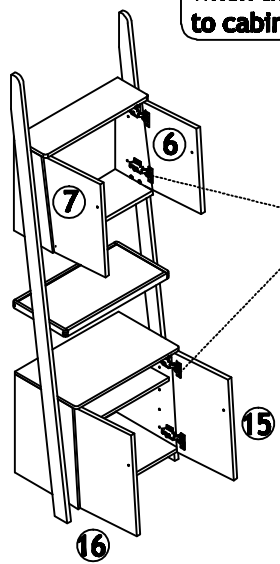
Door hinges are packed assembled, but need to be loosened before they are mounted to the door. This is to make it easier to fix the hinges to inside of cabinet.



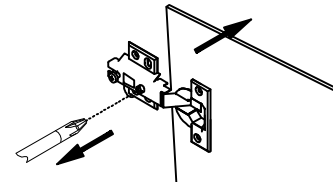
## How To Assemble Your Cabinet

Please follow these instructions carefully

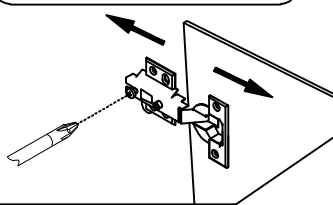
Fix these screws first when attaching doors to cabinet unit.



The door can be adjusted right or left by this screw.



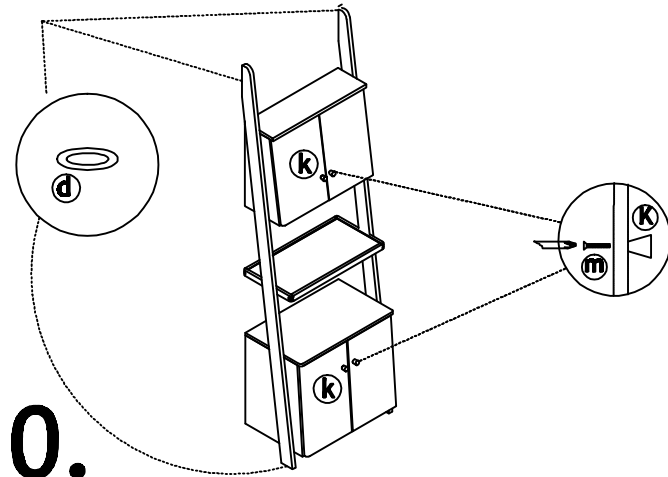
The door can be adjusted front or back by this screw.



# 9.

# FUTON

C O M P A N Y



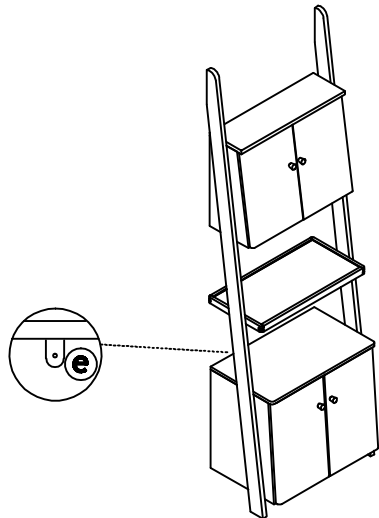
# 10.



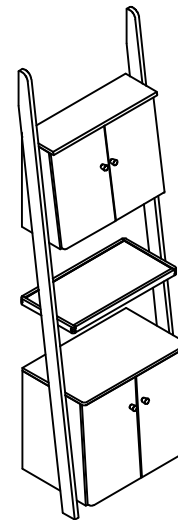
## How To Use

Please read carefully

# 11.



Fittings to secure your Cabinet to the wall are not supplied. But different wall constructions require fittings that are suitable for your wall type. If you are unsure of the correct type of fitting for your wall, please contact your local specialised hardware store for information on suitable fitting. For safety reasons, we advise you to fix this item to the wall if young children or boisterous dogs are liable to bang into it. Never allow children to climb on furniture.



### FINISH

Your Cabinet is made from solid Oak and Oak veneer

### CARE

To clean your Cabinet, wipe with a damp cloth followed by a dry cloth.

### IMPORTANT

To ensure maximum performance from this product, we advise that you check and tighten all bolts and screws on a regular basis to avoid damage and strain to parts.

### GUARANTEE

This instruction leaflet forms part of your guarantee. Please retain it. The ROPO number along with your invoice number will need to be quoted in all correspondence with Futon Company.

Thank you for choosing Futon Company.