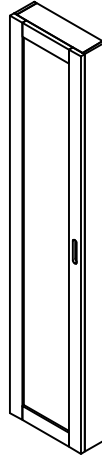



Assembly Instructions



Mirror - Oak Tall Cabinet

ROPO no:



 PLEASE READ THESE INSTRUCTIONS VERY CAREFULLY BEFORE YOU BEGIN, TO ENSURE THAT YOUR FUTON COMPANY PRODUCT WILL GIVE YOU MANY YEARS OF SATISFACTION

Thank you for buying a Futon Company product.

We are constantly striving to improve everything we do, but occasionally mistakes do occur. In the unlikely event that you find any part missing, please call your nearest Futon Company store and we will arrange for the despatch of an immediate replacement. Please keep all packaging until you have checked every part and assembly of your Futon Company product is complete.

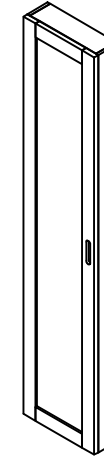
Version number: 1 Product code: MIRROR OAK TALL CAB Date: 09/10/2021

experts in small space living



Parts Checklist

Please count and check every component very carefully before you begin



① Main Cabinet x 1



Fittings Checklist

Please count and check every component very carefully before you begin



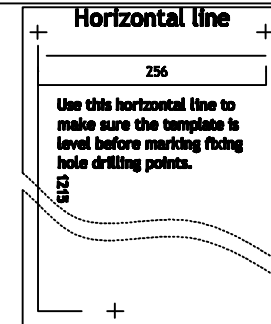
① Wall fixing x 3



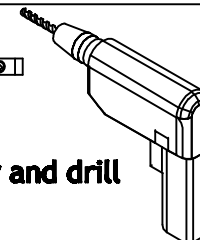
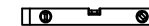
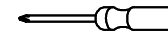
② Screw x 3



③ wooden block x 1



④ Paper Template x 1



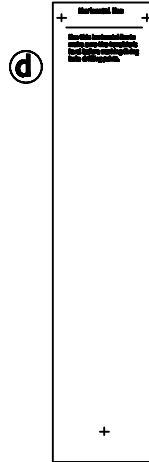
*** Cross head Screwdriver, spirit level, Hammer and drill also required for assembly.



How To Assemble Your Cabinet

Please follow these instructions carefully

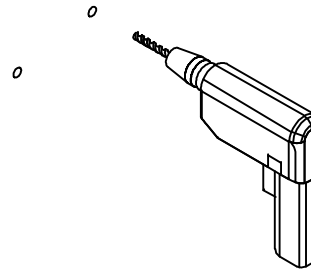
To fix your cabinet to the wall you will need to use the paper template provided. The template has a horizontal line you need to use to make sure the template is level before marking and then drilling the fixing holes. Fittings to fix your cabinet to the wall are supplied but different wall constructions require fittings suitable for your wall. If you are unsure of the correct type of fitting for your wall, please contact your local specialised hardware store for information on suitable fitting.



1.

FUTON

C O M P A N Y

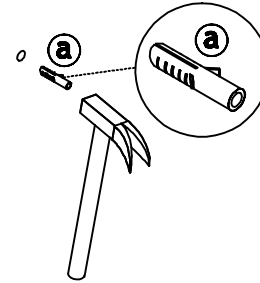


2.



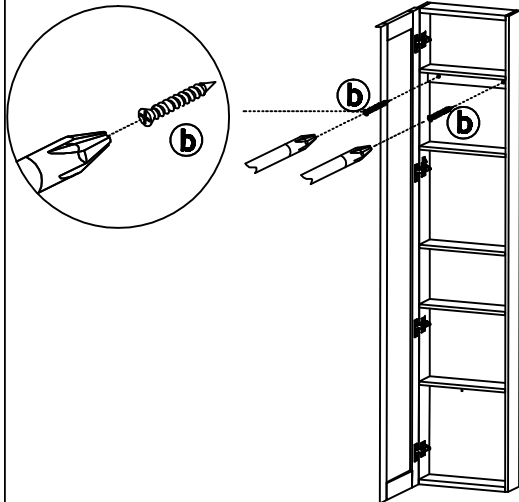
How To Use

Please read carefully

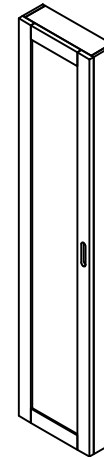
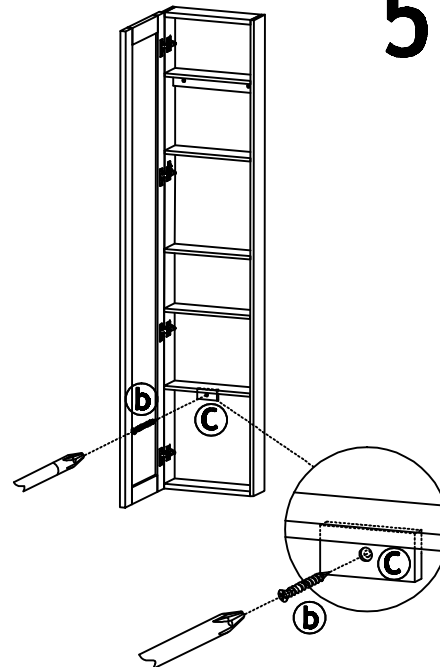


3.

4.



5. 6.



FINISH

Your Cabinet is made from solid Oak

CARE

To clean your Cabinet, wipe with a damp cloth followed by a dry cloth.

IMPORTANT

To ensure maximum performance from this product, we advise that you check and tighten all bolts and screws on a regular basis to avoid damage and strain to parts.

GUARANTEE

This instruction leaflet forms part of your guarantee. Please retain it. The ROPO number along with your invoice number will need to be quoted in all correspondence with Futon Company.

Thank you for choosing Futon Company.