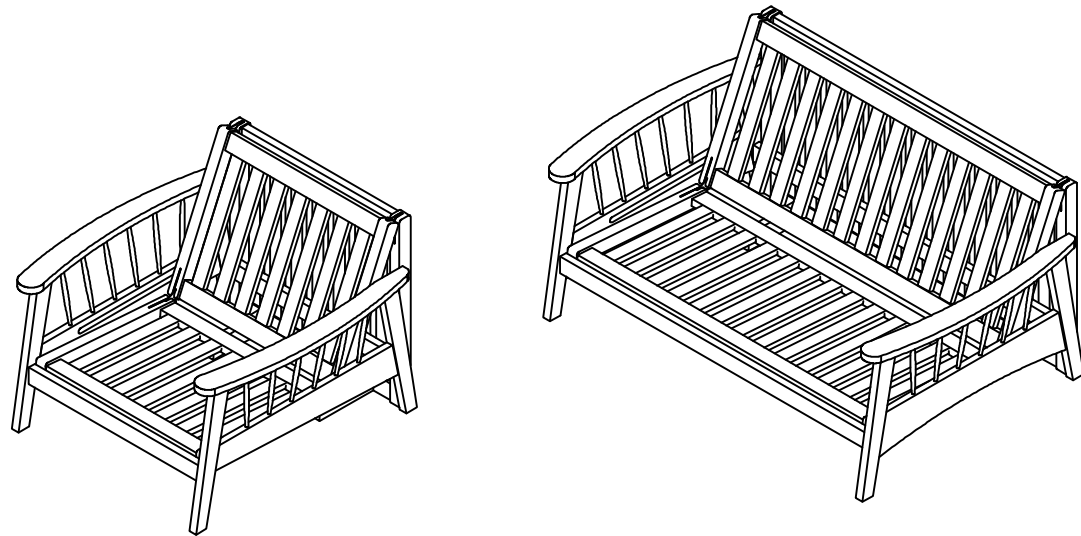


Assembly Instructions



Sofa Bed - Oak Swift Trifold Single or Double

Ropo no:



Please read these instructions very carefully before you begin to ensure that your Futon Company sofa bed will give you many years of satisfaction

Thank you for buying a Futon Company product.

We are constantly striving to improve everything we do, but very occasionally mistakes do occur.

In the unlikely event that you find any part missing, please call your nearest Futon Company store and we will arrange for the despatch of an immediate replacement.

Please keep all packaging until you have checked every part and assembly of your Futon Company product is complete.

version number:1

product code: ARM TRI SWIFT OAK

Date: 06/10/2021

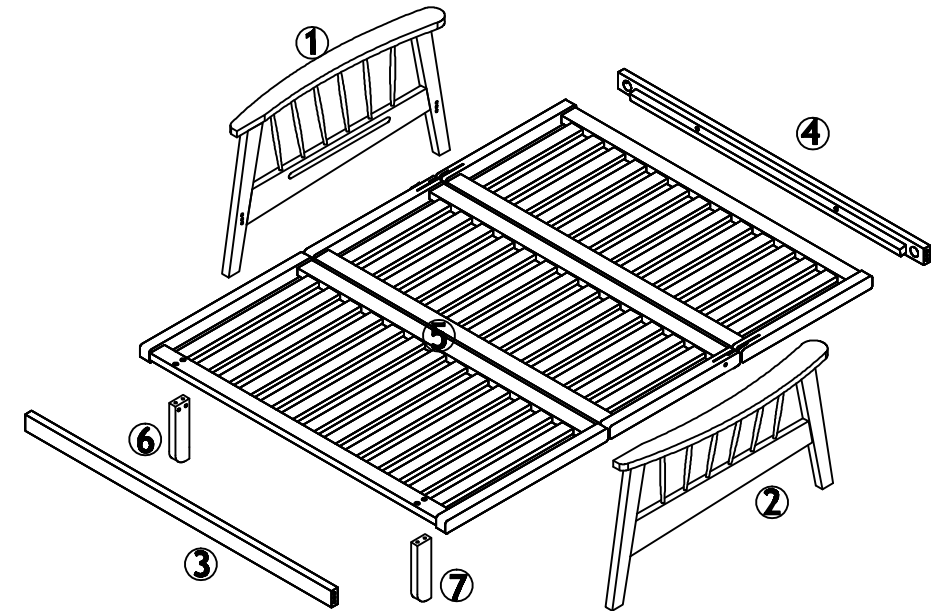
experts in small space living



Part Checklist

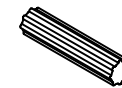
Please count and check every component very carefully before you begin

- ① RH side frame x 1
- ② LH side frame x 1
- ③ Back Cross Rail x 1
- ④ Front Cross Rail x 1
- ⑤ Deck x 1
- ⑥ Right Back leg x 1
- ⑦ Left Back leg x 1

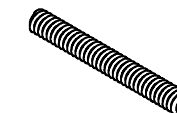


Fittings Checklist

Please count and check every component very carefully before you begin



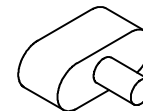
a Dowel x 8



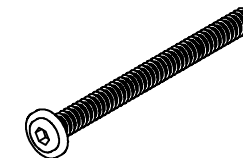
b Bolt x 4



c Pressure Plate x 4



d Slider x 2



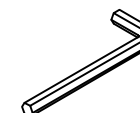
e Small Allen Head Bolt x 4



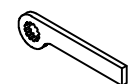
f Barrel Nut x 4



g Nut x 4



h Allen Key x 1



i Small Spanner x 1

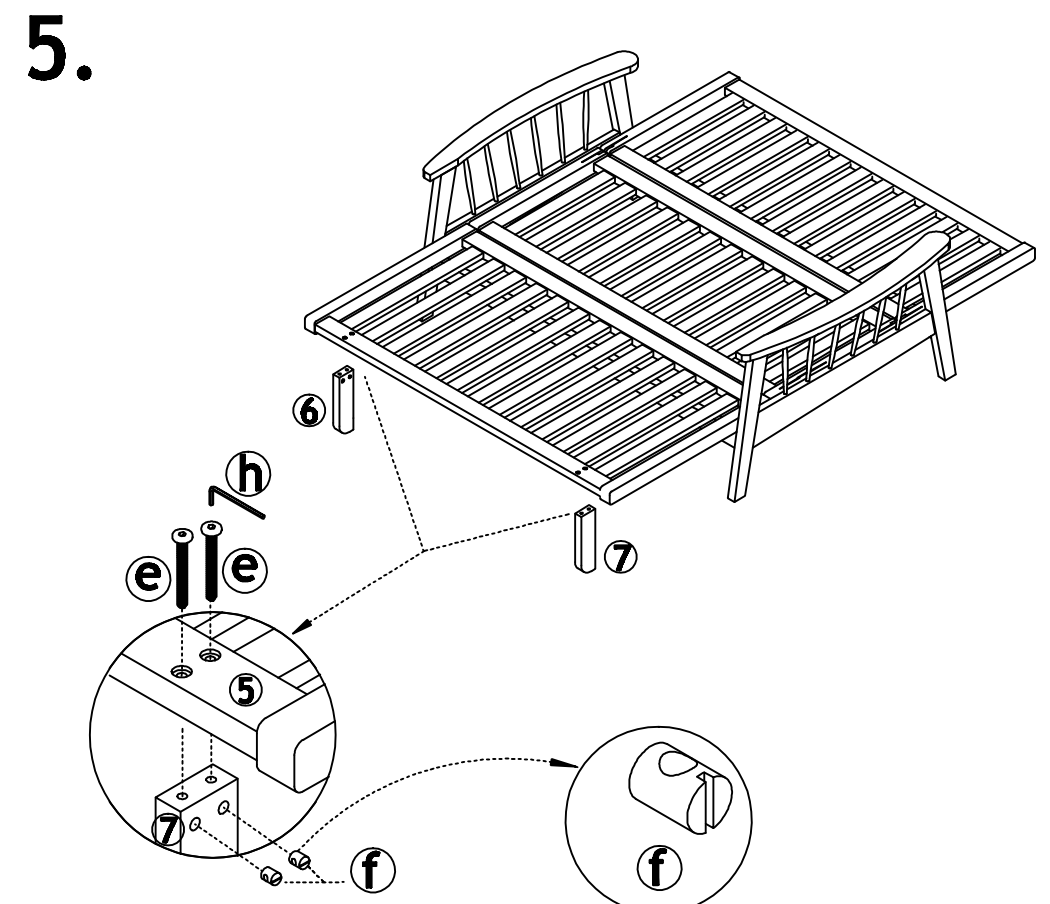
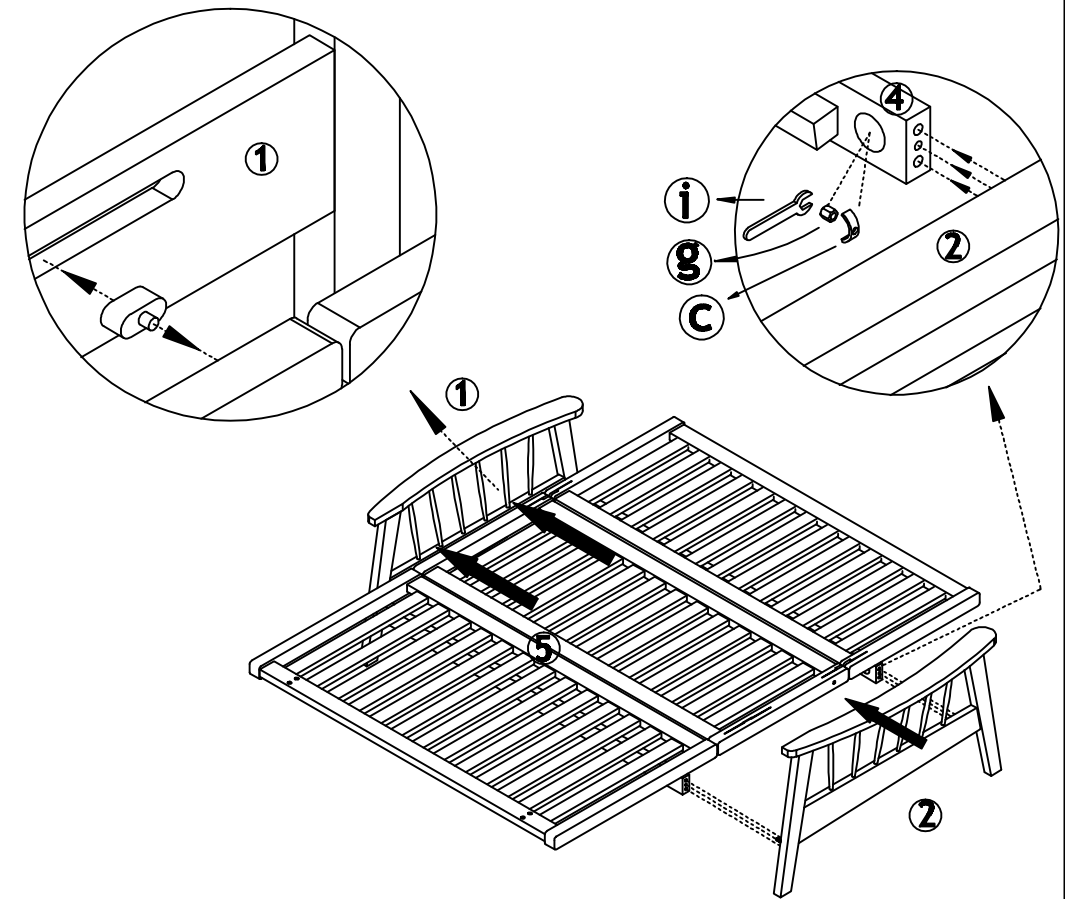
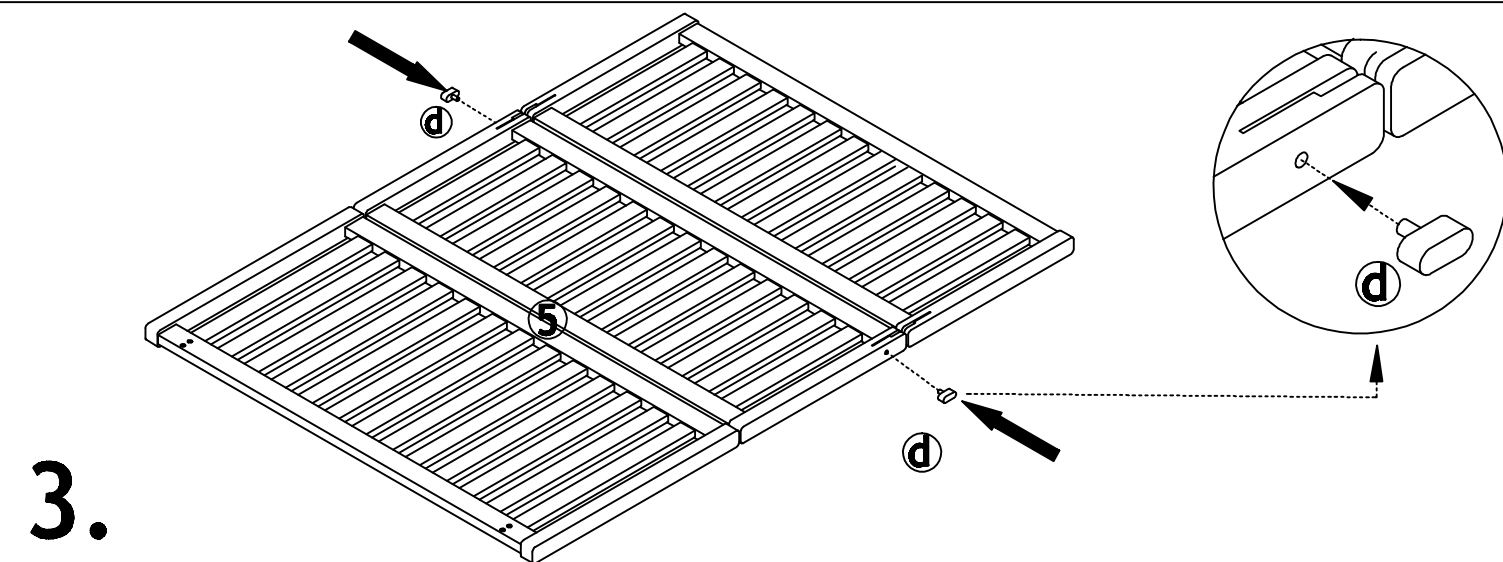
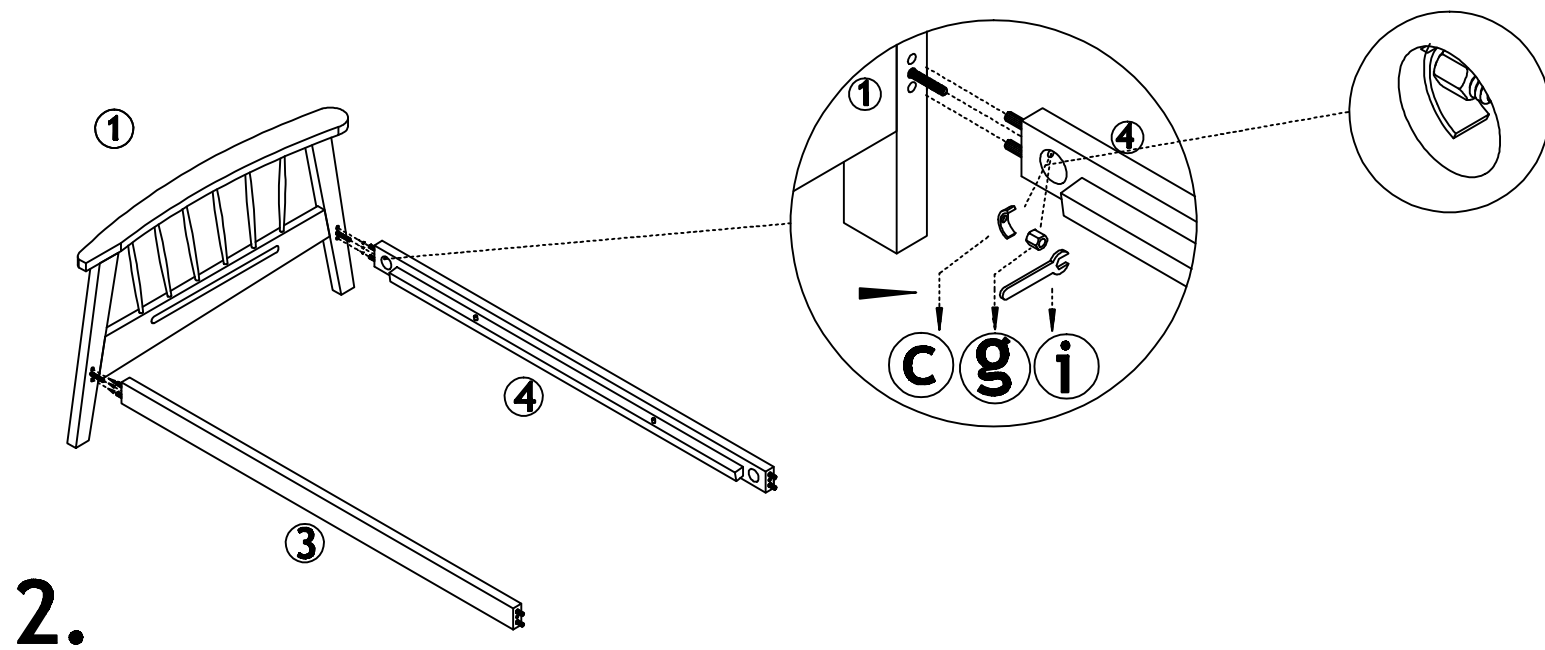
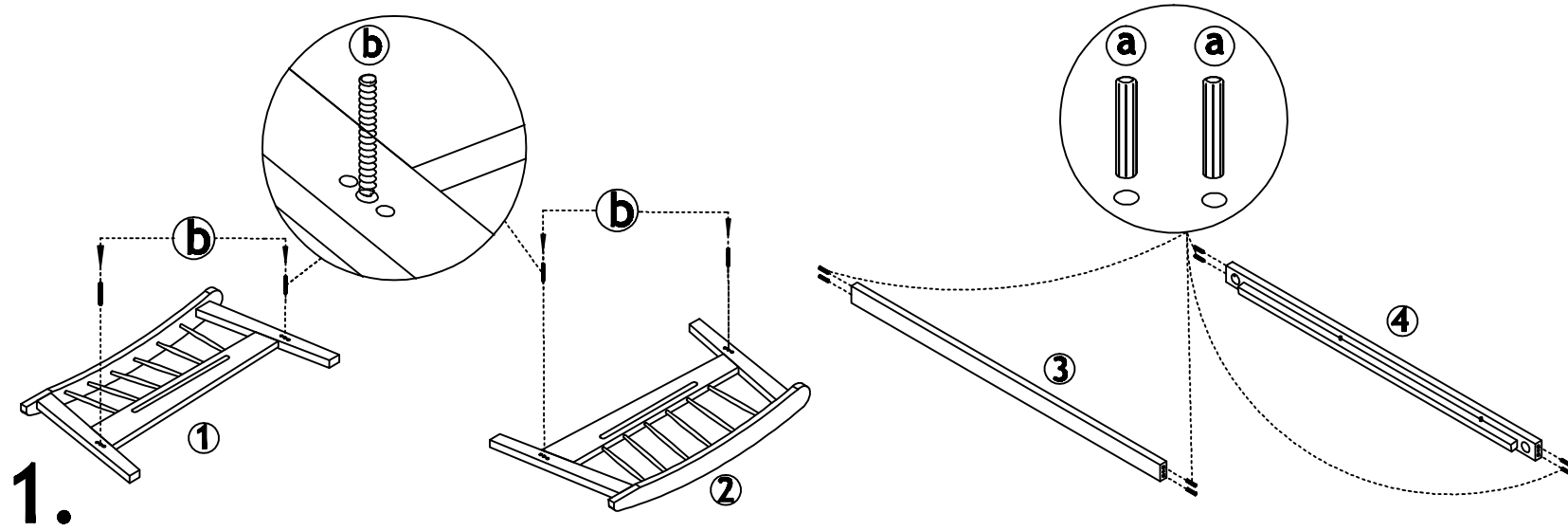


How To Assemble Your Sofa Bed

Please follow these instructions carefully

FUTON

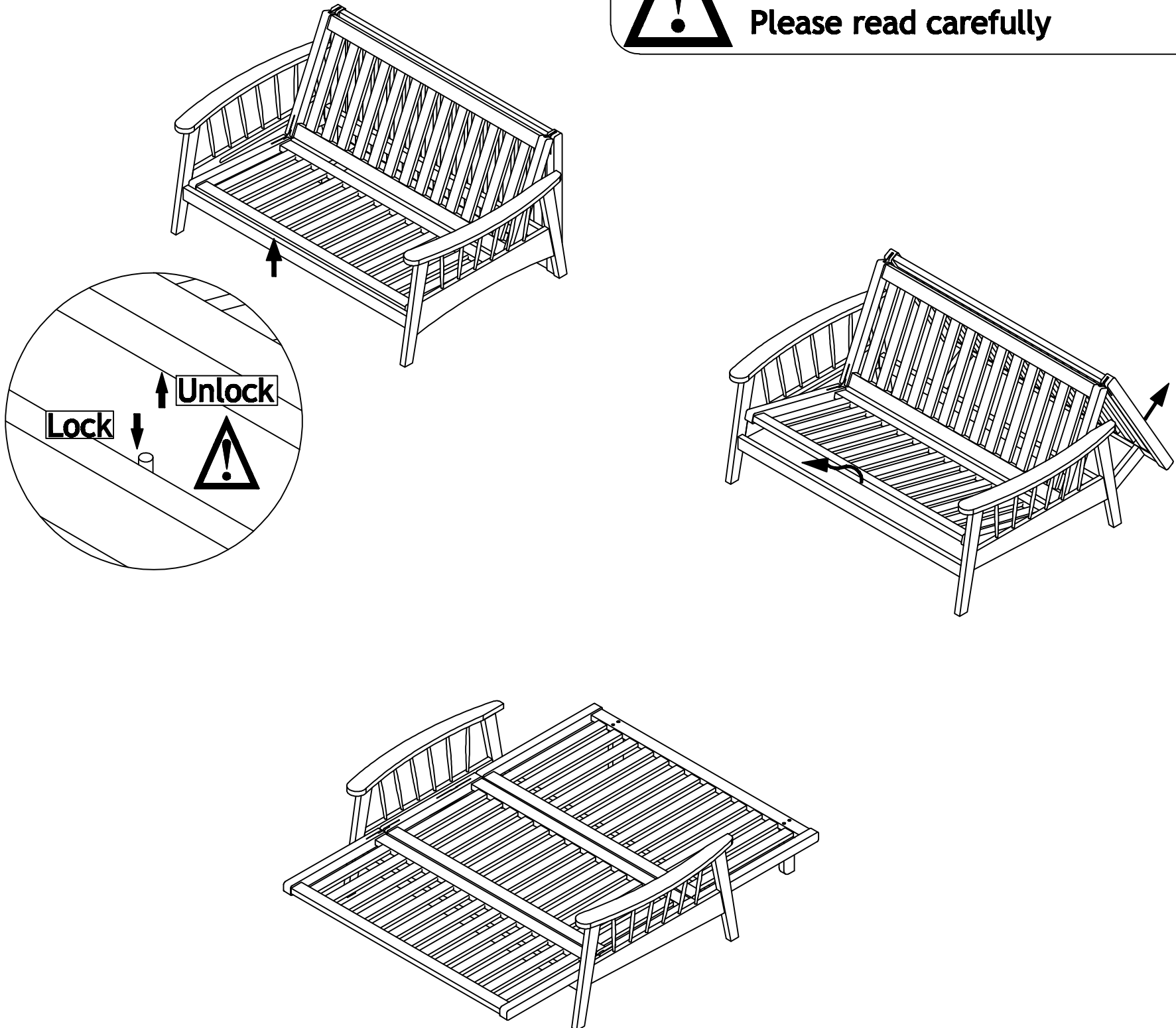
C O M P A N Y





How To Use

Please read carefully



CONVERTING YOUR SOFA INTO A BED

Slide the back and seat deck in the direction of the arrows. After opening ensure that the frame is locked into position.

FINISH

Timber may be selected to ensure that the visible surfaces are of a higher grade than unseen surfaces. These unseen areas are not finished to the same standard as the visible surfaces.

CARE

To clean your sofa bed frame, wipe with a damp cloth followed by a dry cloth.

IMPORTANT

To ensure maximum performance from this product, we advise that you check and tighten all bolts and screws on a regular basis to avoid damage and strain to parts.

GUARANTEE

This instruction leaflet forms part of your guarantee, please retain it. The ROPO number along with your invoice number will need to be quoted in all correspondence with Futon Company.

Thank you for choosing Futon Company.