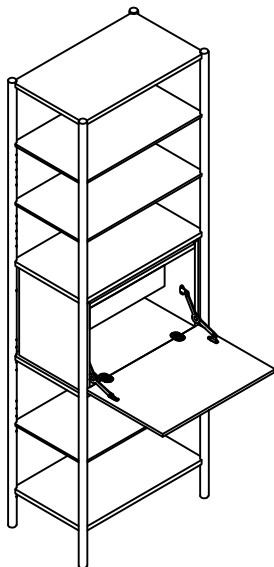
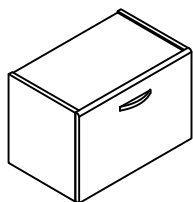


Assembly Instructions



Shelving - Folio Birch Bureau

ROPO no:



PLEASE READ THESE INSTRUCTIONS VERY CAREFULLY BEFORE YOU BEGIN, TO ENSURE THAT YOUR FUTON COMPANY PRODUCT WILL GIVE YOU MANY YEARS OF SATISFACTION

Thank you for buying a Futon Company product.

We are constantly striving to improve everything we do, but occasionally mistakes do occur. In the unlikely event that you find any part missing, please call your nearest Futon Company store and we will arrange for the despatch of an immediate replacement. Please keep all packaging until you have checked every part and assembly of your Futon Company product is complete.

Version number: 1 Product code: ST BUREAU FOLIO Date: 31/07/21

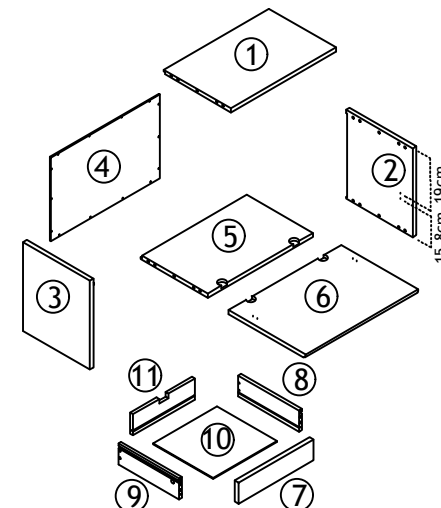
experts in small space living



Parts Checklist

Please count and check every component very carefully before you begin

- ① Top x 1
- ② Right Side x 1
- ③ Left Side x 1
- ④ Back Board x 1
- ⑤ Bottom x 1
- ⑥ Front x 1
- ⑦ Drawer Front x 1
- ⑧ Drawer Side A x 1
- ⑨ Drawer Side B x 1
- ⑩ Drawer Bottom x 1
- ⑪ Drawer Back x 1



Fittings Checklist

Please count and check every component very carefully before you begin

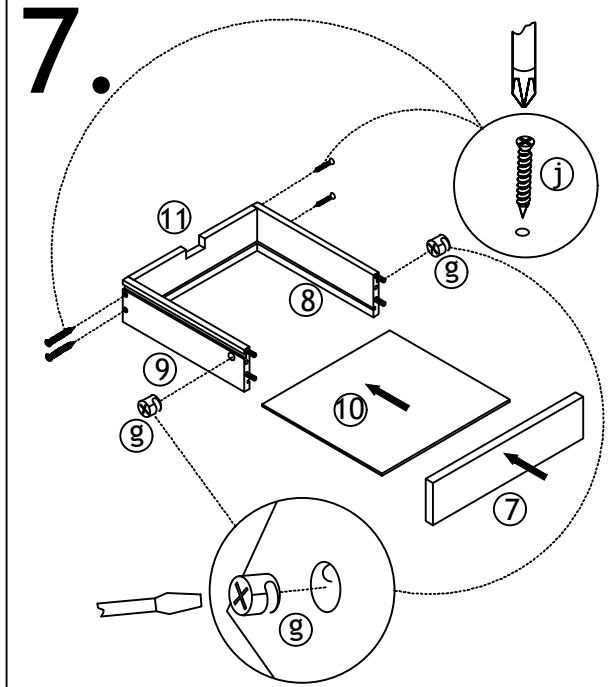
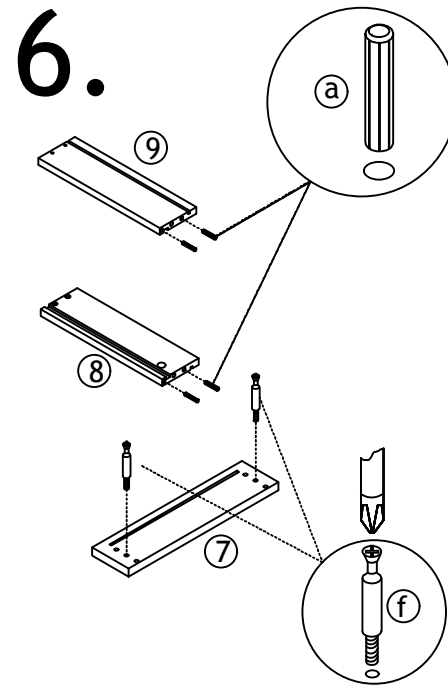
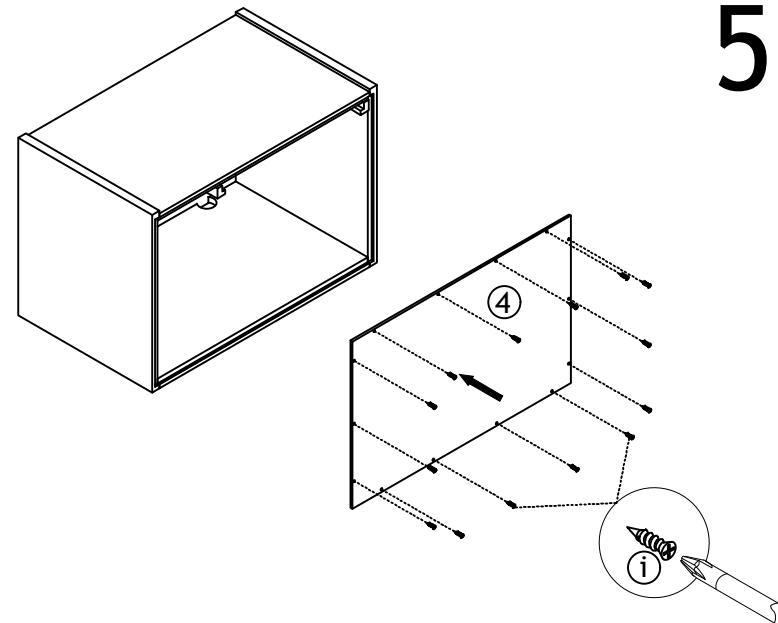
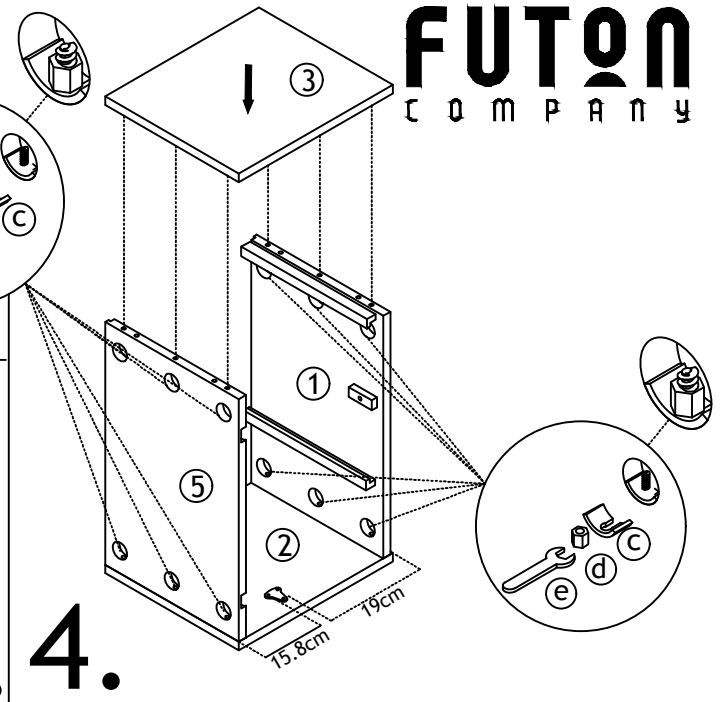
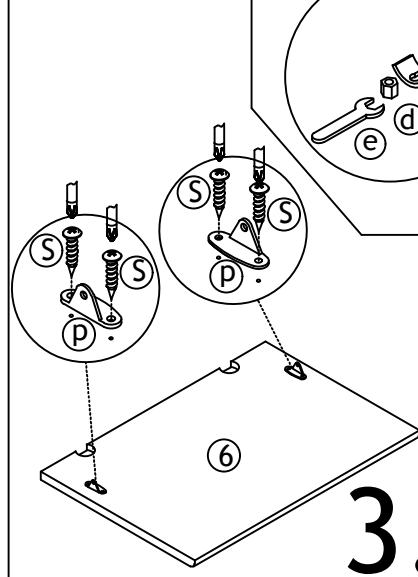
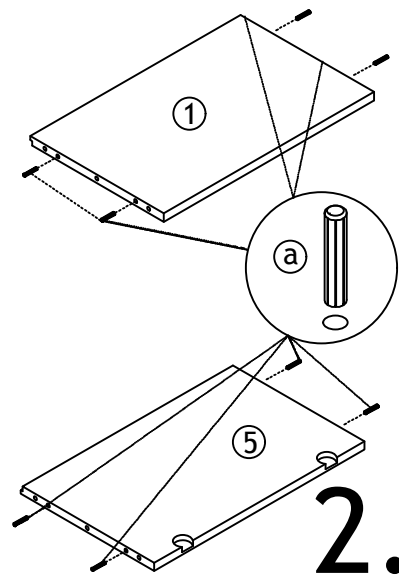
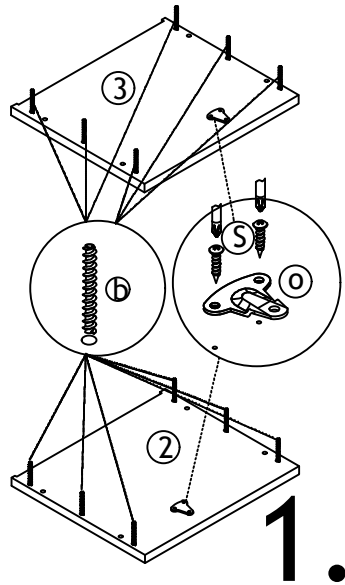
- a Dowel x 12
 - b Bolt x 12
 - c Pressure Plate x 12
 - d Nut x 12
 - e Small Spanner x 1
 - f Cam Bolt x 2
 - g Cam x 2
 - h 3x15mm Screw x 12
 - i 3x12mm Screw x 14
 - j 4x30mm Screw x 4
 - k Right Side Door Hinge x 1
 - m Left Side Door Hinge x 1
 - n Anti-slip pad x 4
 - o Door Hinge Plate x 2
 - p Door Hinge Bracket x 2
 - q Allen Key x 1
 - r Door hinge Screw x 4
 - s 4x18mm Screw x 8
 - t Small Hinge x 2
- * Cross head and flat head Screwdriver also required for assembly



How To Assemble Your Bureau Box

Please follow these instructions carefully

FUTON
C O M P A N Y



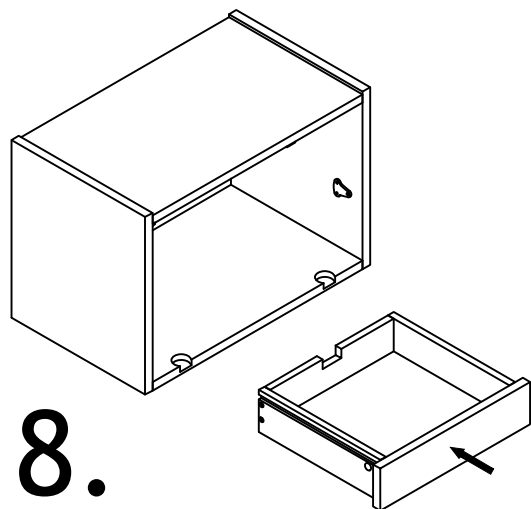


How To Assemble Your Bureau Box

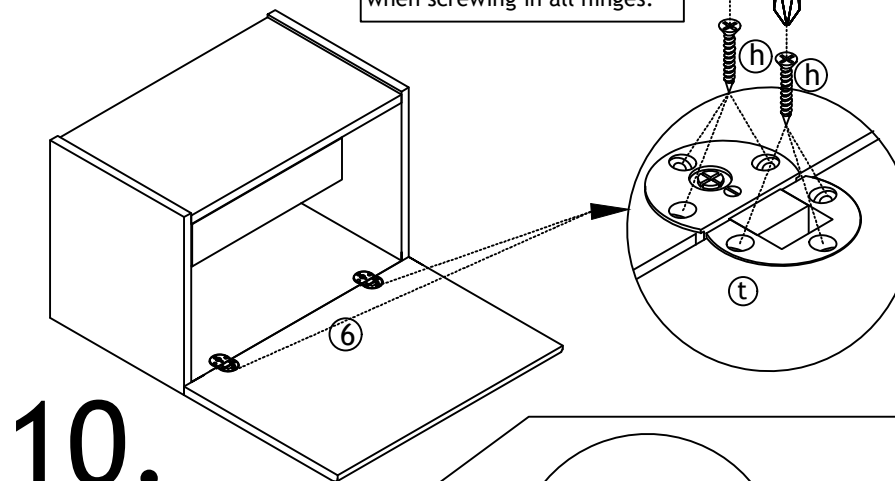
Please follow these instructions carefully

FUTON

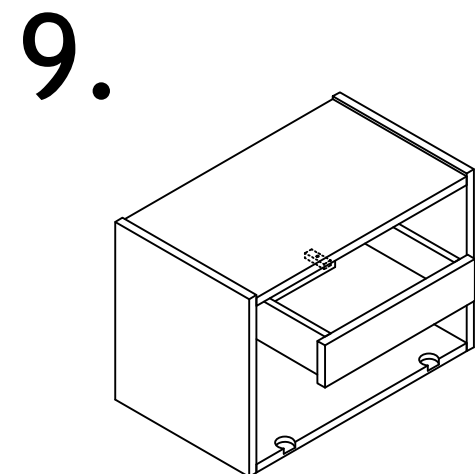
C O M P A N Y



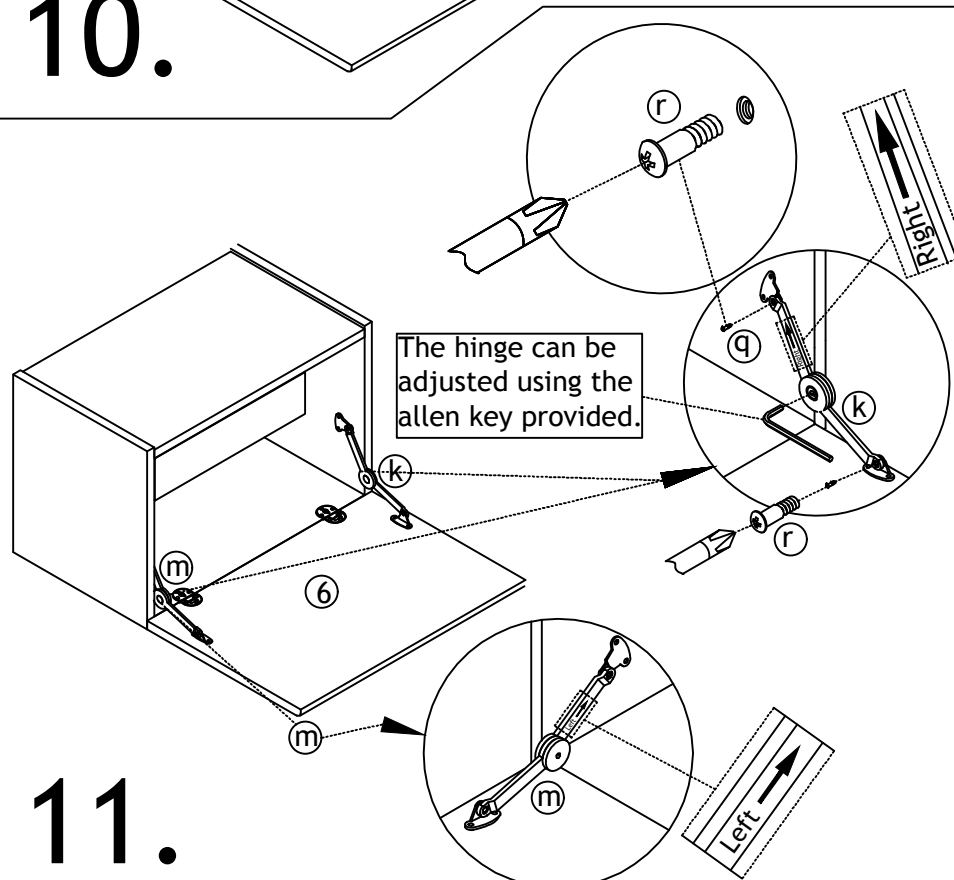
8.



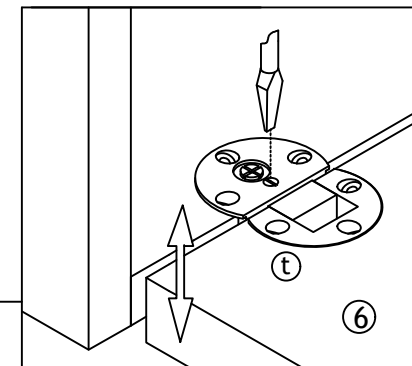
10.



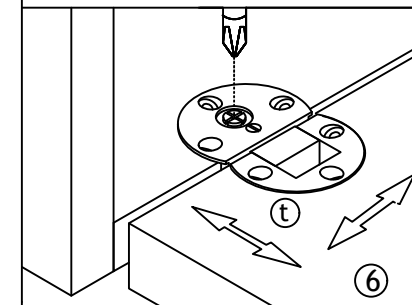
9.



11.



The door can be adjusted up or down by this screw.



The door can be adjusted front or back, left or right by this screw.

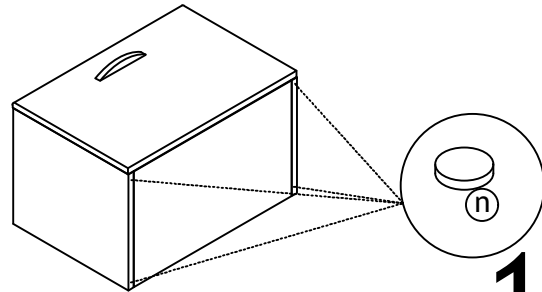
12.



How To Assemble Your Bureau Box

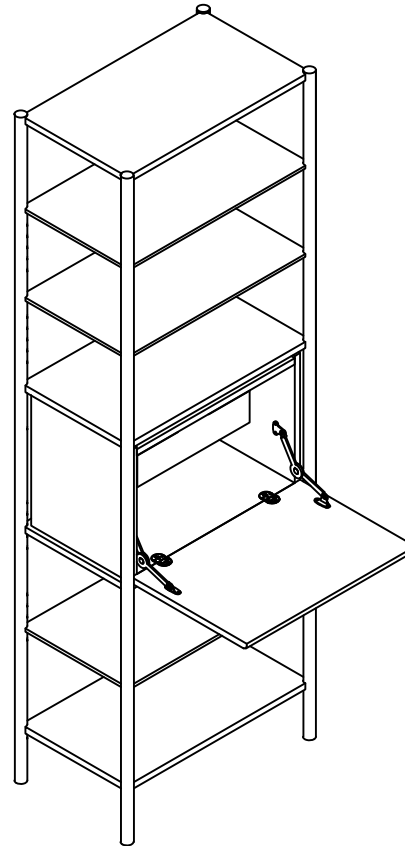
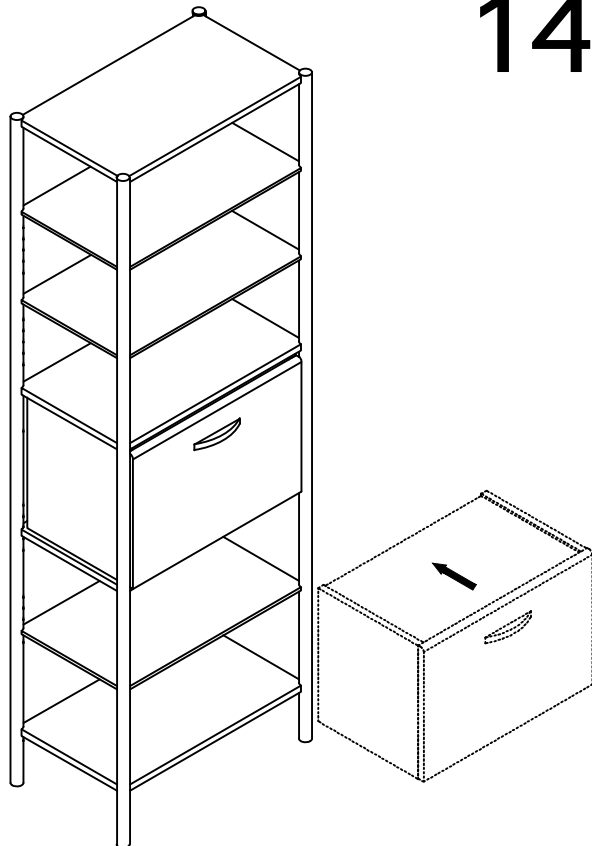
Please follow these instructions carefully

FUTON
C O M P A N Y



13.

14.



When using the Folio Bureau with Folio Tall Shelf, you must secure your Folio Tall Shelf to a wall using the wall leash. Wall leash is supplied in fittings included with Folio Tall Shelf. Follow instruction steps of Folio Tall Shelf for how to secure wall leash.

15.



How To Use

Please read carefully

FINISH

Timber may be selected to ensure that the visible surfaces are of a higher grade than unseen surfaces. These unseen areas are not finished to the same standard as the visible surfaces.

CARE

To clean your Bureau Box, wipe with a damp cloth followed by a dry cloth.

IMPORTANT

To ensure maximum performance from this product, we advise that you check and tighten all bolts and screws on a regular basis to avoid damage and strain to parts.

GUARANTEE

This instruction leaflet forms part of your guarantee, please retain it. The ROPO number along with your invoice number will need to be quoted in all correspondence with Futon Company.

Thank you for choosing Futon Company.