



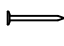
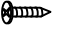
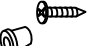

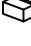
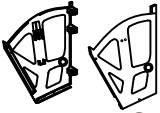

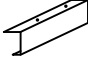

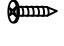
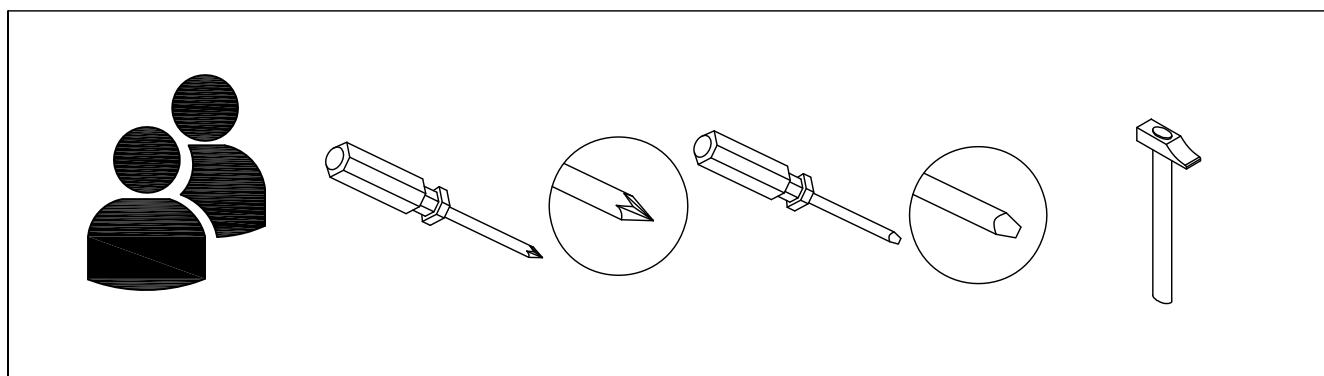
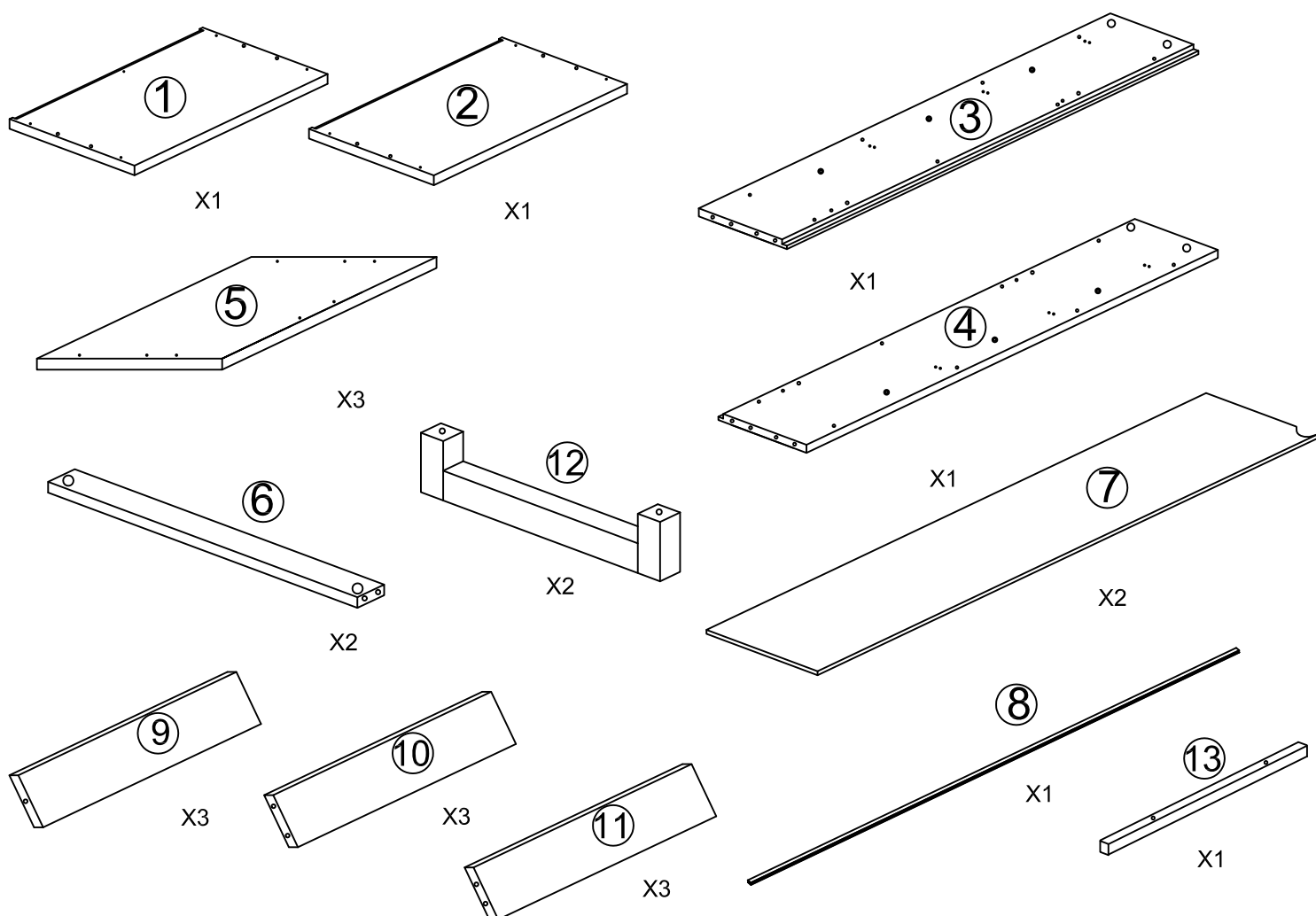


# ASSEMBLY INSTRUCTIONS

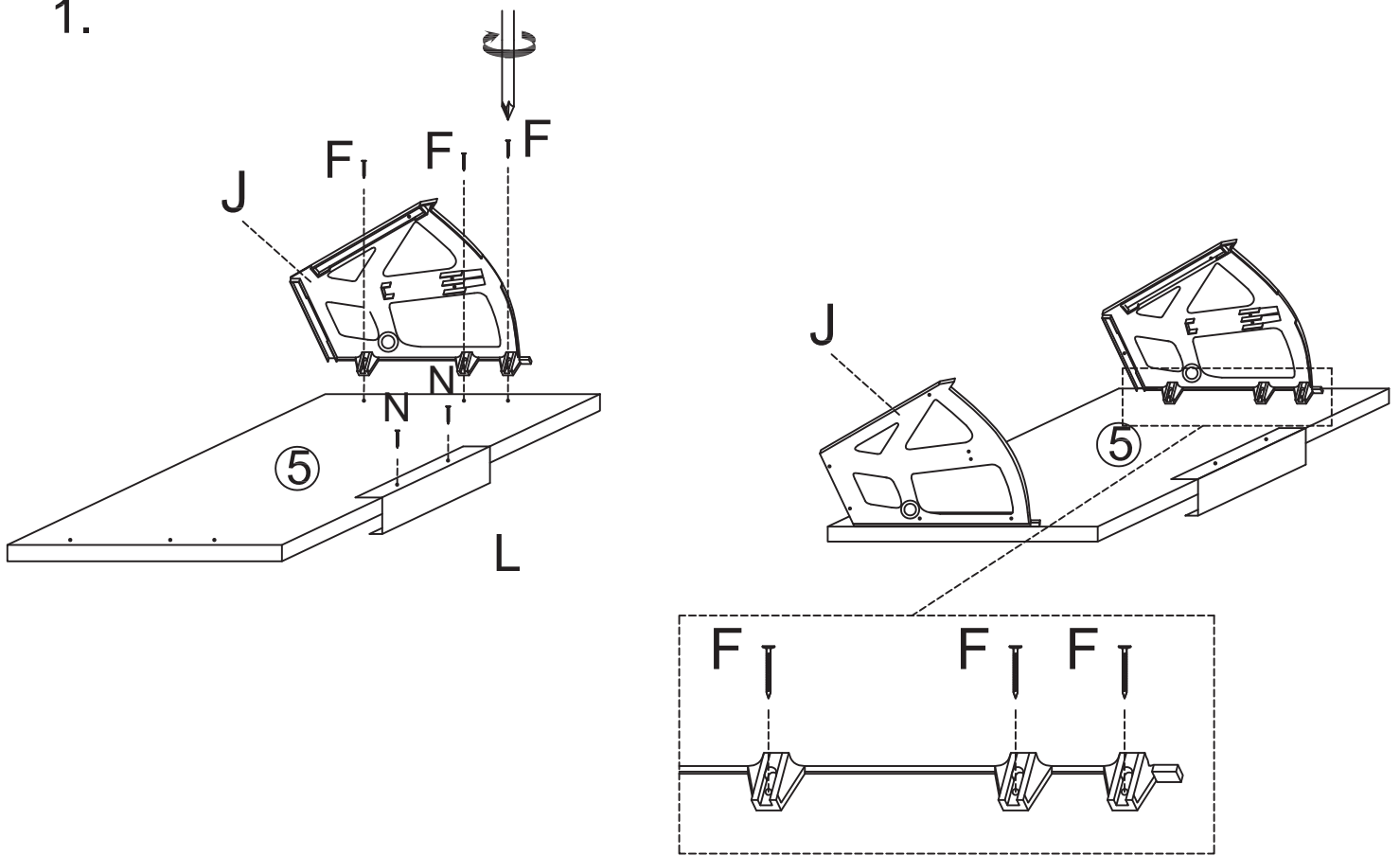
**FUTON**  
C O M P A N Y

ST CALX SHOE CAB

A	B	C	D	E	F	G
						
8 PIECES	8 PIECES	12 PIECES	8 PIECES	16 PIECES	18 PIECES	6 PIECES
H	I	J	K	L	M	N
						
30 PIECES	6 PIECES	3 PAIRS	2 PIECES	3 PIECES	1 PIECE	6 PIECE

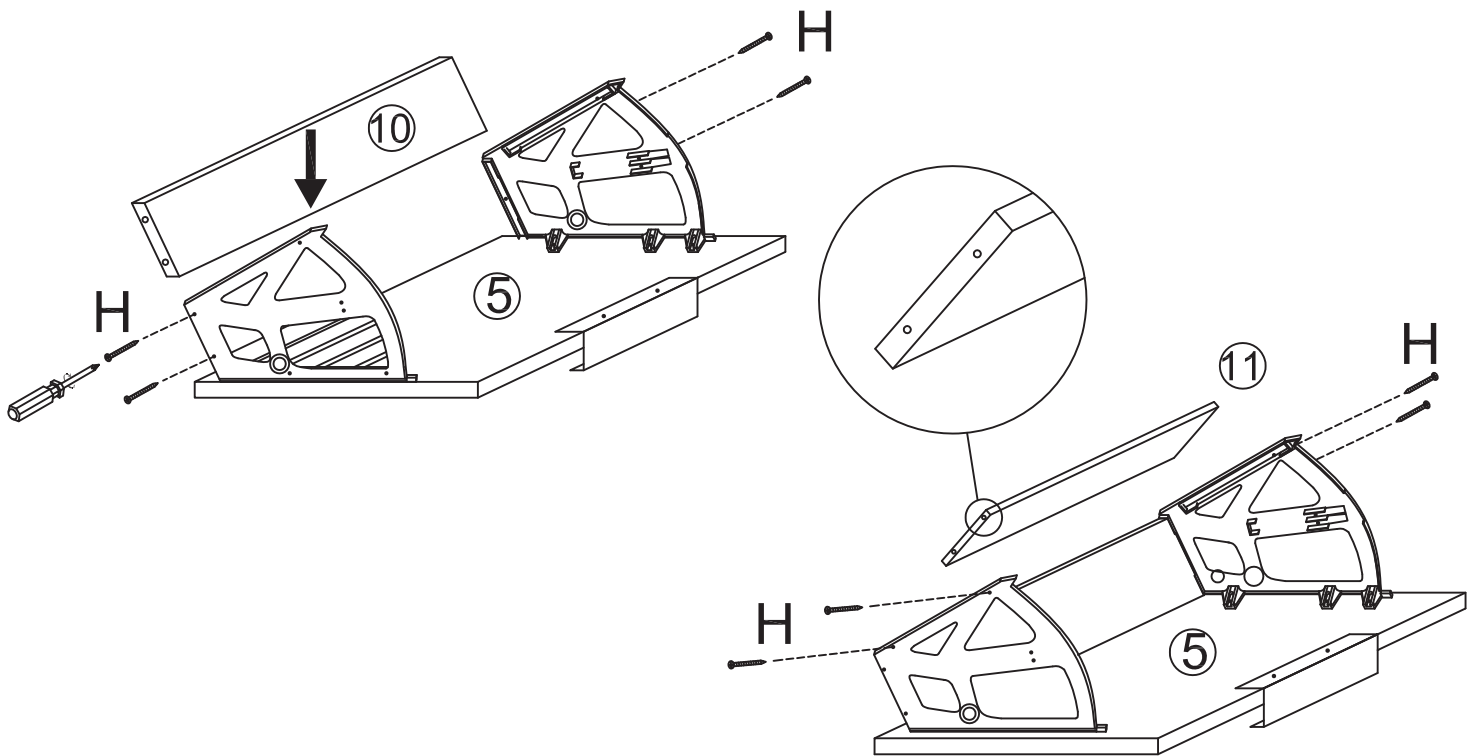


1.



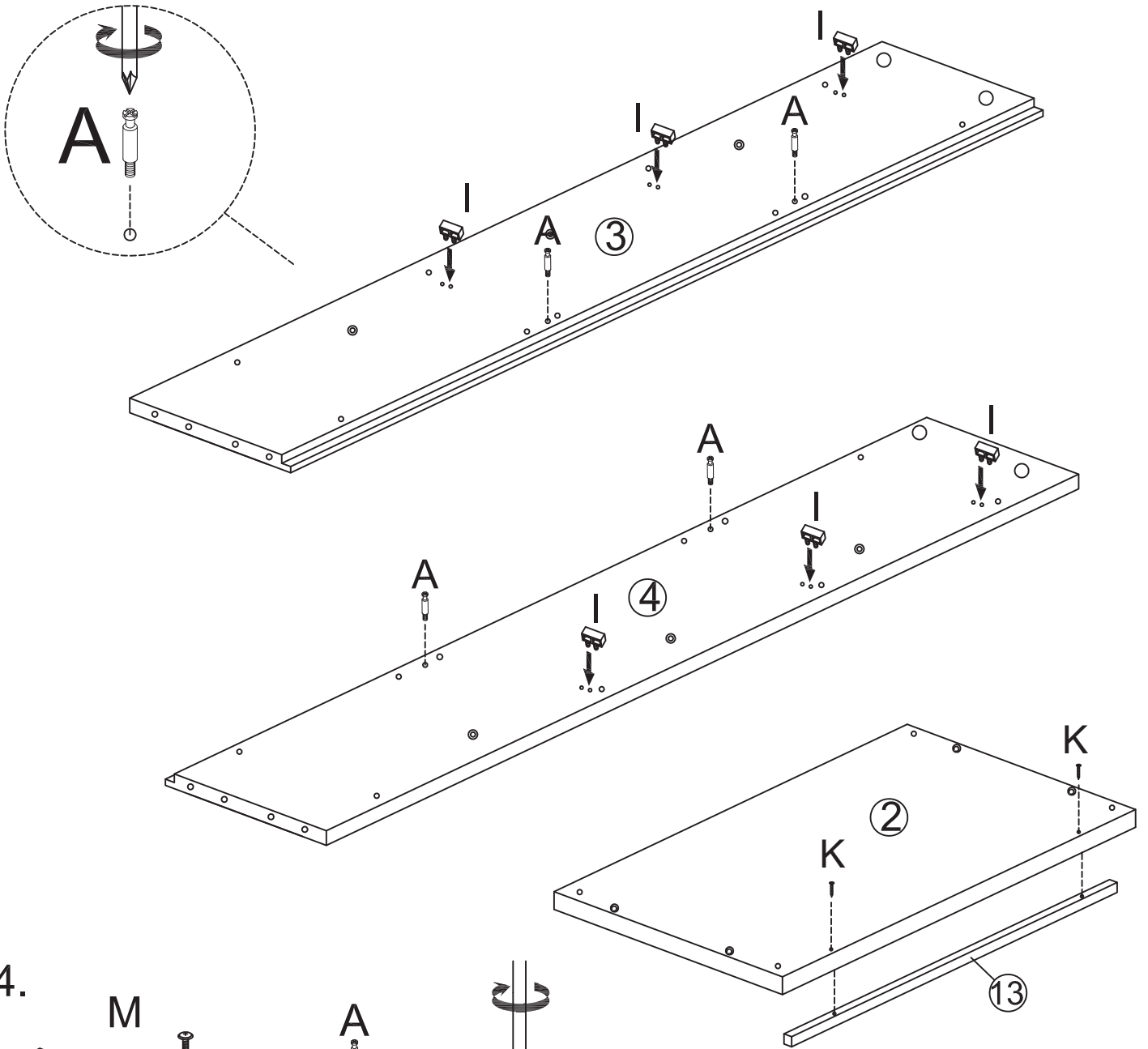
Repeat this step x 3

2.

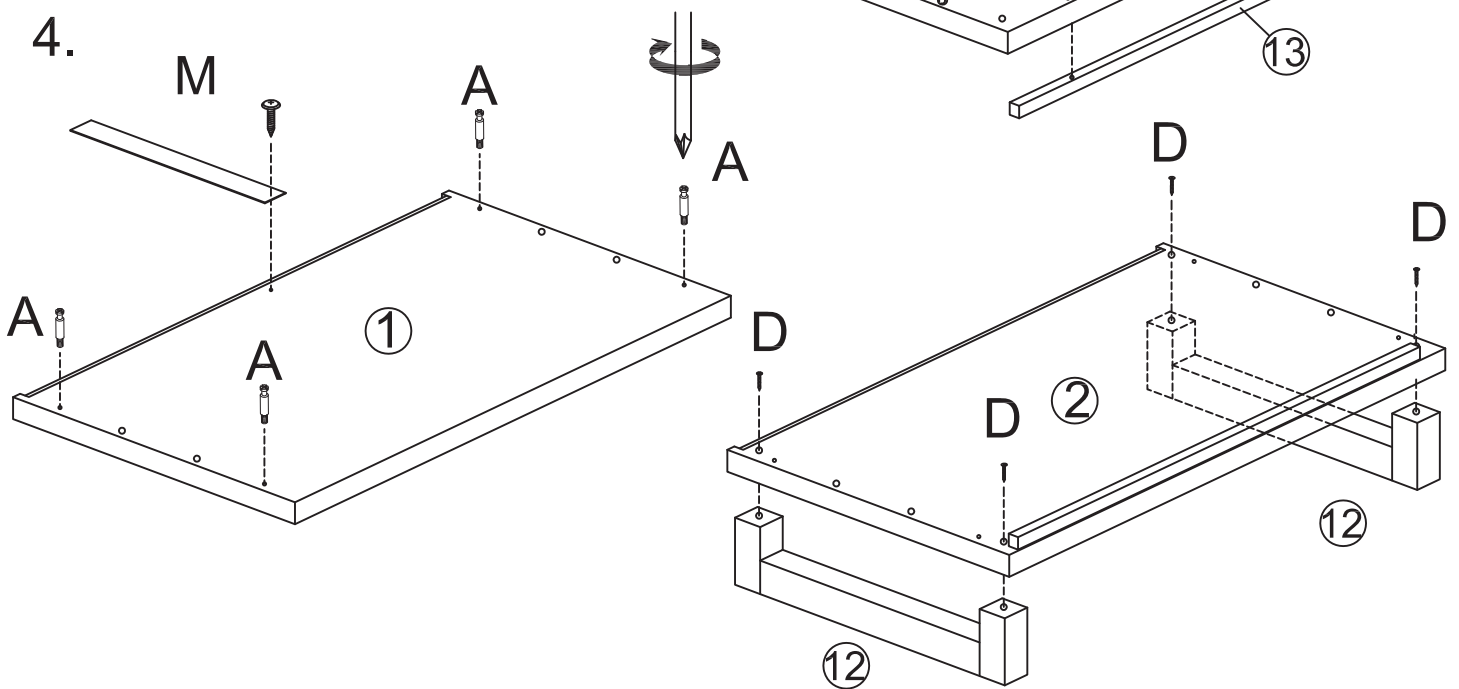


Repeat this step x 3

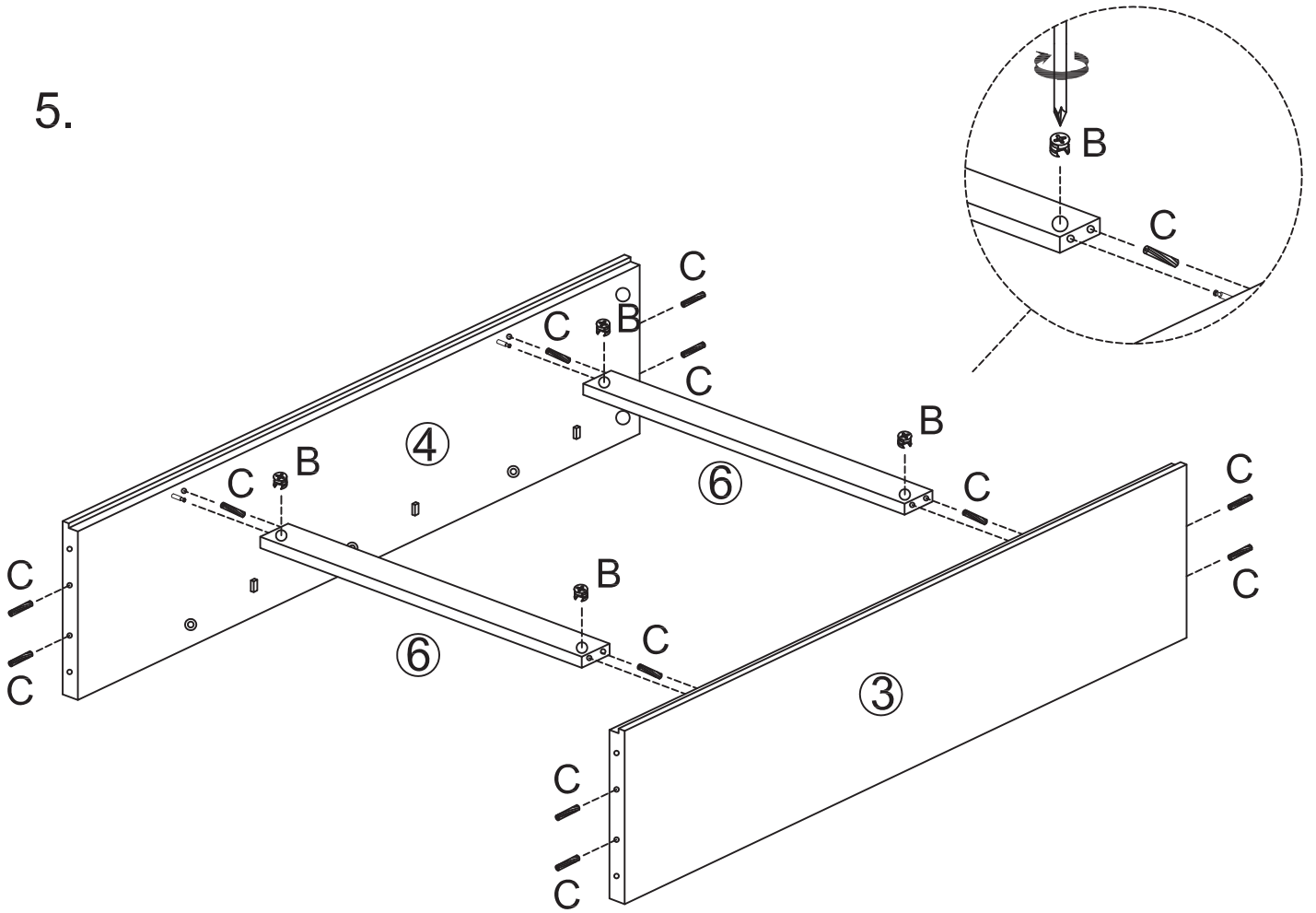
3.



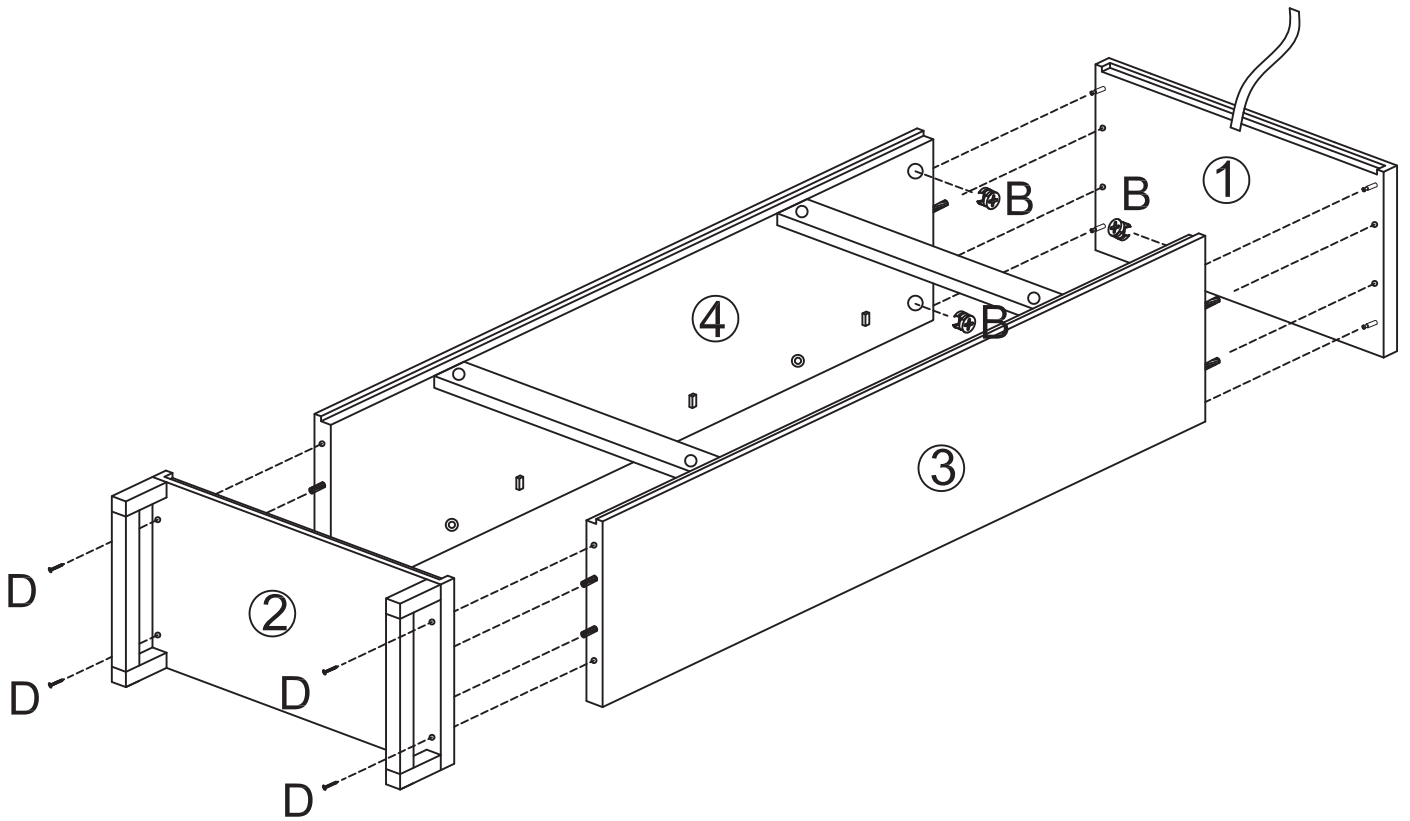
4.



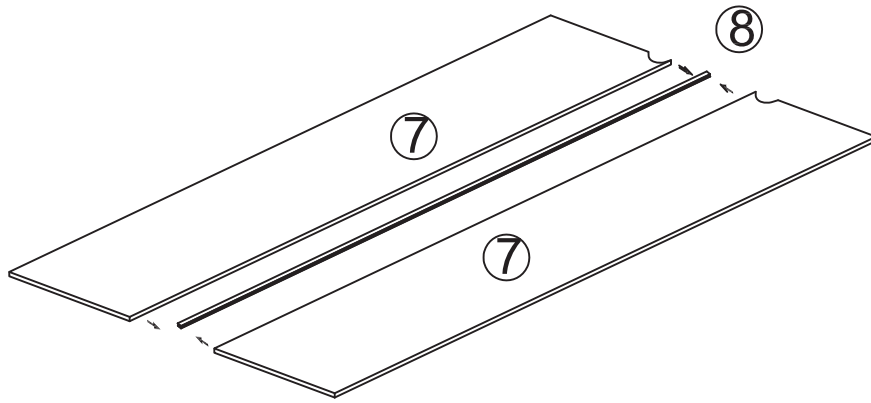
5.



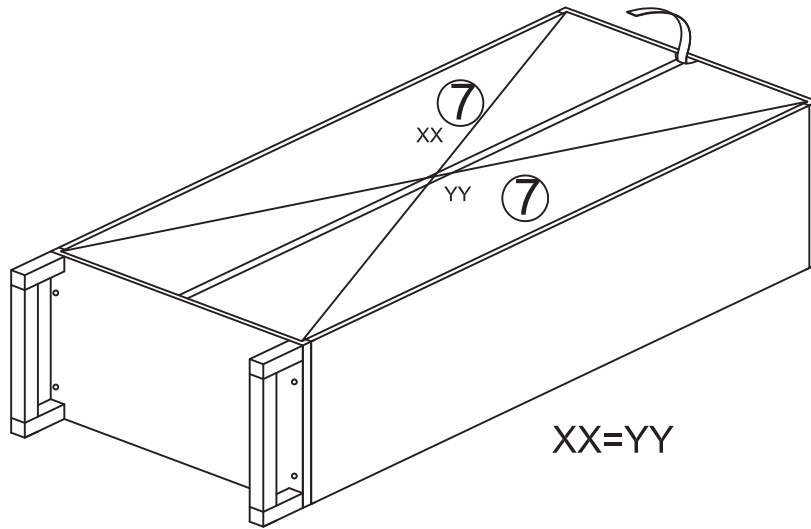
6.



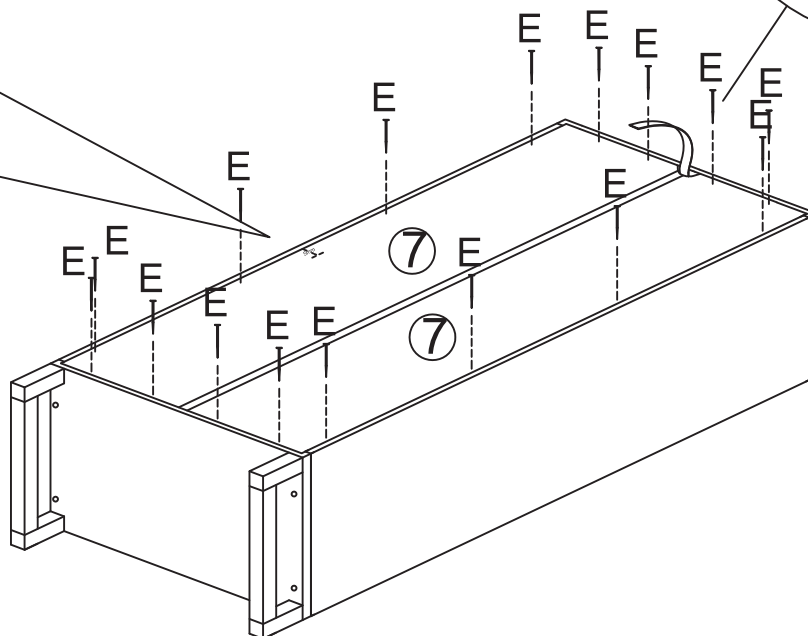
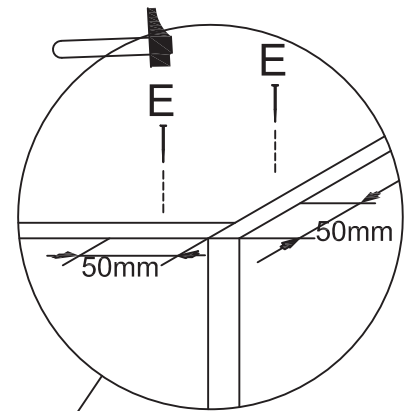
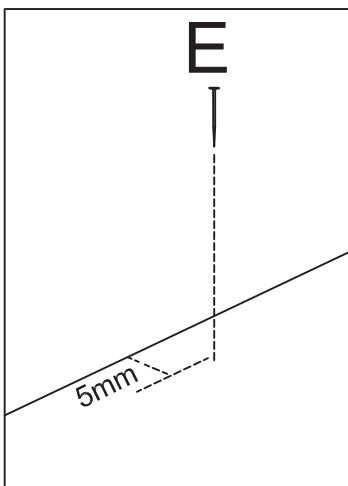
7.



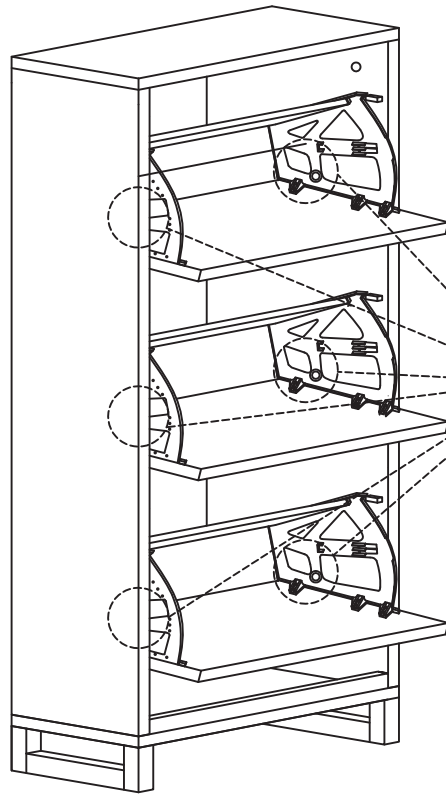
8.



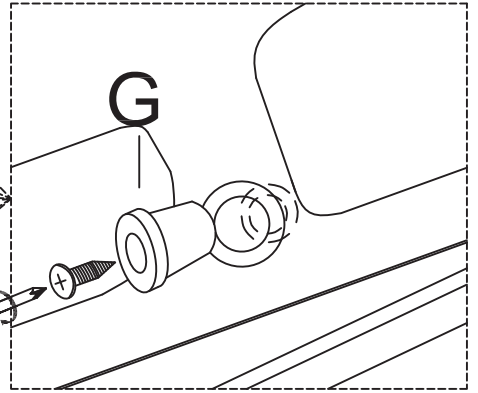
Make sure cabinet corners are at 90 degrees to each other before fixing back panels.



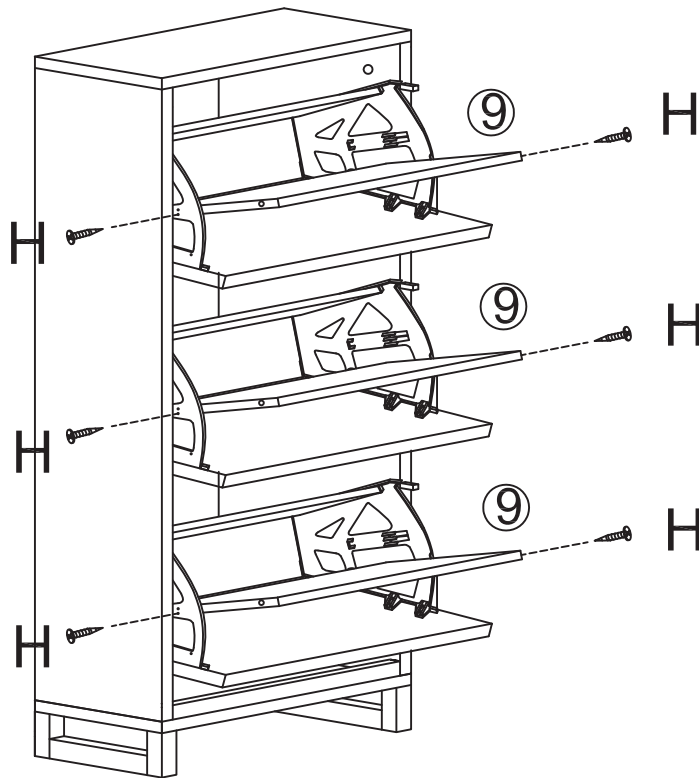
9.



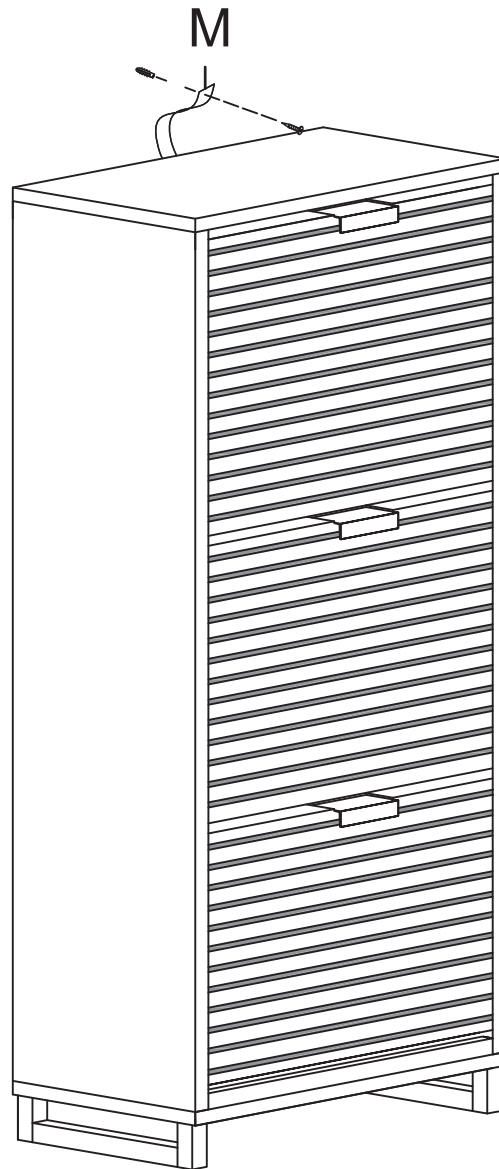
Two people recommended for this step



10.



11.



**Fitting M should be used to secure your ST CALX SHOE CAB to the wall. Screws and fittings for wall are not supplied as different wall constructions require fittings that are suitable for your wall type. If you are unsure for the correct type of fitting for your wall, please contact your local specialised hardware store for information on suitable fitting.**