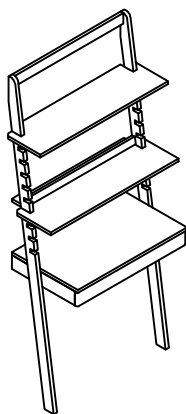


Assembly Instructions



Oak Standing Ladder Desk

ROPO no: **9900**



PLEASE READ THESE INSTRUCTIONS VERY CAREFULLY BEFORE YOU BEGIN, TO ENSURE THAT YOUR FUTON COMPANY PRODUCT WILL GIVE YOU MANY YEARS OF SATISFACTION

Thank you for buying a Futon Company product.

We are constantly striving to improve everything we do, but occasionally mistakes do occur. In the unlikely event that you find any part missing, please call your nearest Futon Company store and we will arrange for the despatch of an immediate replacement. Please keep all packaging until you have checked every part and assembly of your Futon Company product is complete.

Version number: 2 Product code: T4 LADD STD DSK Date: 05/10/2021

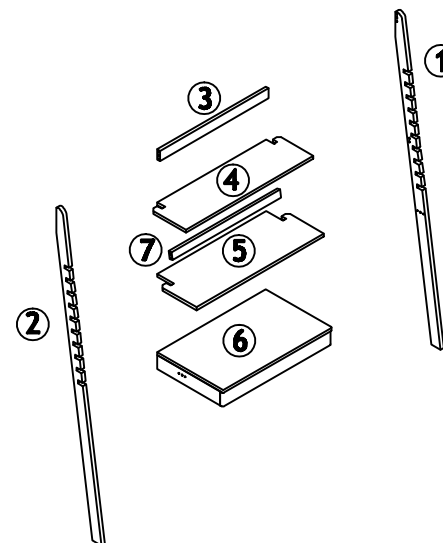
experts in small space living



Parts Checklist









Please count and check every component very carefully before you begin

- ① Right Rail x 1
- ② Left Rail x 1
- ③ Top Connecting Rail x 1
- ④ Small Shelf (250) x 1
- ⑤ Big Shelf (320) x 1
- ⑥ Desk Unit x 1
- ⑦ Middle Connecting Rail x 1



Fittings Checklist

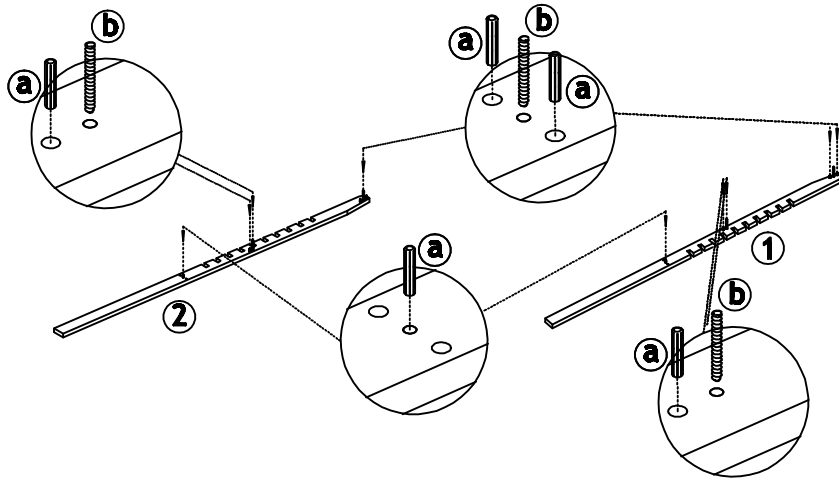
Please count and check every component very carefully before you begin

- 
ⓐ Wooden Dowel x 8
- 
ⓑ Bolt x 4
- 
ⓒ Pressure Plate x 4
- 
ⓓ Nut x 4
- 
ⓔ Small Spanner x 1
- 
ⓕ Allen Head Bolt x 4
- 
ⓖ Allen Key x 1
- 
ⓓ Anti-slip pad x 4



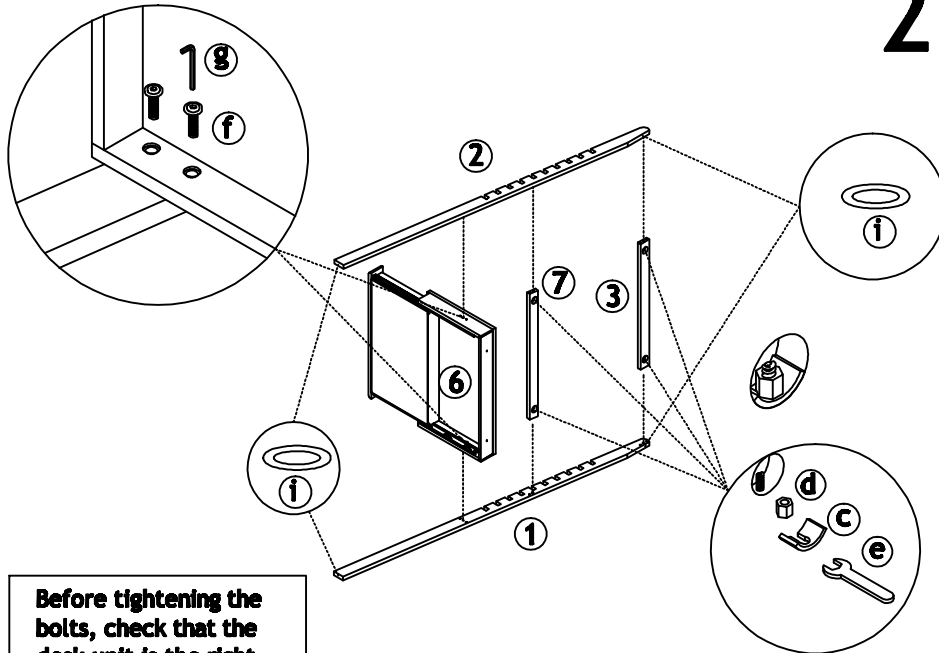
How To Assemble Your Desk

Please follow these instructions carefully



1.

2.



Before tightening the bolts, check that the desk unit is the right way around.

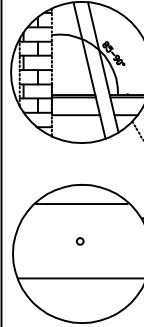
FUTON

C O M P A N Y



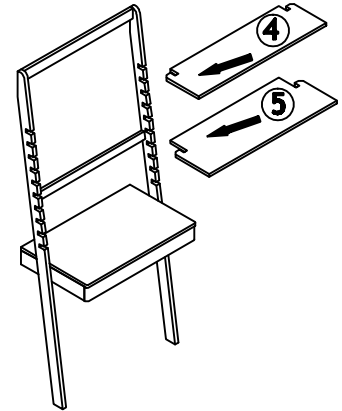
How To Use

Please read carefully



3.

To ensure that your desk remains secure you must fix it to the wall using the fixing holes provided on the back of the Desk unit. Screw fixings to attach the unit to the wall are not included as different wall materials require different types of fixing. Contact your local specialised hardware store for advice on suitable fixing. Also for safety reasons, we advise you to fix this item to the wall if young children or boisterous dogs are liable to bang into it. Never allow children to climb on furniture.



4.

FINISH

Your Desk Unit is made from solid Oak and Oak veneer

CARE

To clean your Desk Unit, wipe with a damp cloth followed by a dry cloth.

IMPORTANT

To ensure maximum performance from this product, we advise that you check and tighten all bolts and screws on a regular basis to avoid damage and strain to parts.

GUARANTEE

This instruction leaflet forms part of your guarantee. Please retain it. The ROPO number along with your invoice number will need to be quoted in all correspondence with Futon Company.

Thank you for choosing Futon Company.