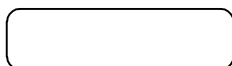


Assembly Instructions

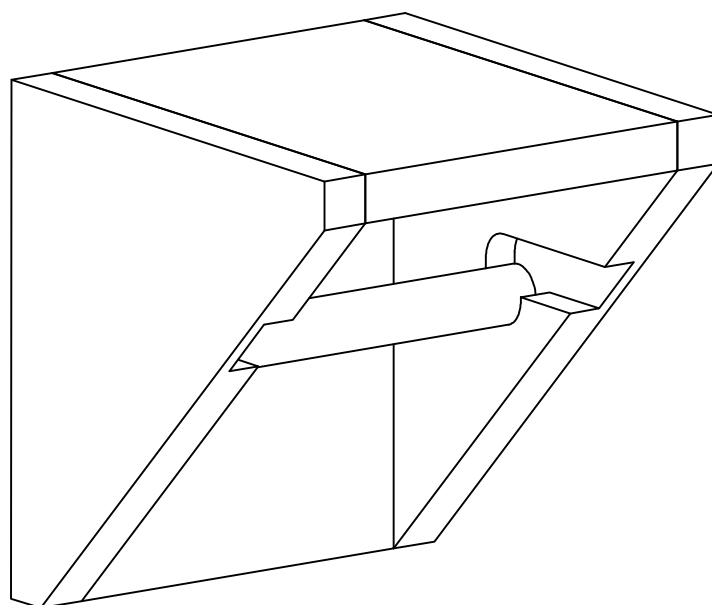
Bathroom Storage - Delta

Toilet Roll Holder

ROPO



FUTON
C O M P A N Y



PLEASE READ THESE INSTRUCTIONS VERY CAREFULLY BEFORE YOU BEGIN, TO ENSURE THAT YOUR FUTON COMPANY PRODUCT WILL GIVE YOU MANY YEARS OF SATISFACTION

Thank you for buying a Futon Company product

We are constantly striving to improve everything we do, but very occasionally mistakes do occur.

In the unlikely event that you find any part missing please call your nearest Futon Company store and we will arrange for the despatch of an immediate replacement.

Please keep all packaging until you have checked every part and assembly of your Futon Company product is complete.

Version number: 1 Product code: ST BTH DELTA ROLL Date: 25/06/21

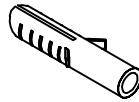
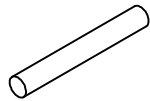
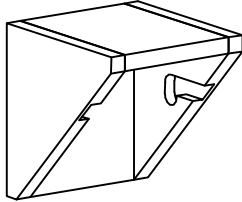
experts in small space living



How To Assemble Your Holder

Please follow these instructions carefully

Fittings to attach your Toilet Roll Holder to the wall are supplied. But different wall constructions require fittings that are suitable for your wall type. If you are unsure for the correct type of fitting for your wall, please contact your local specialised hardware store for information on suitable fitting.

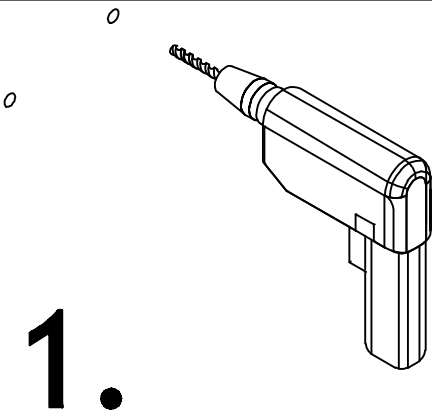


① Holder x 1

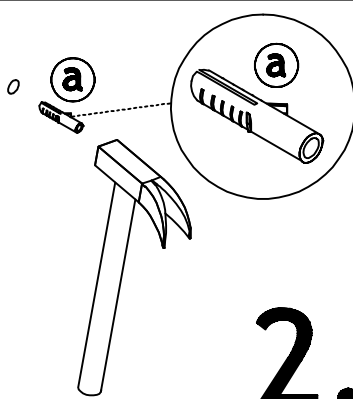
② Pole x 1

Ⓐ Wall fixing x 2

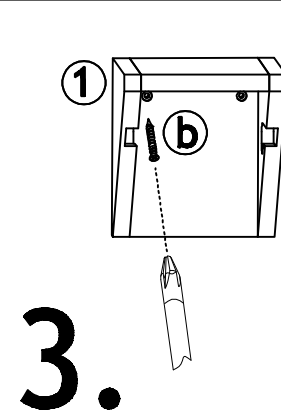
Ⓑ Screw x 2



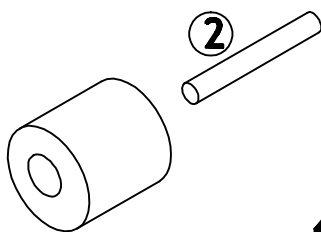
1.



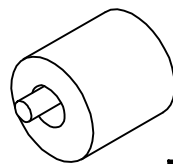
2.



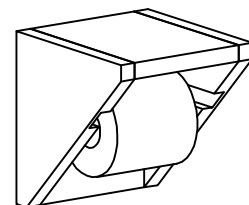
3.



4.



5.



6.

FINISH

Your Holder is made from solid Oak and has an oiled finish.

CARE

To clean your Holder, wipe with a damp cloth followed by a dry cloth.

IMPORTANT

To ensure maximum performance from this product, we advise that you check and tighten all

bolts and screws on a regular basis to avoid damage.

GUARANTEE

This instruction leaflet forms part of your guarantee, please retain it. The ROPO number along with your invoice number will need to be quoted in all correspondence with Futon Company.

Thank you for choosing Futon Company.