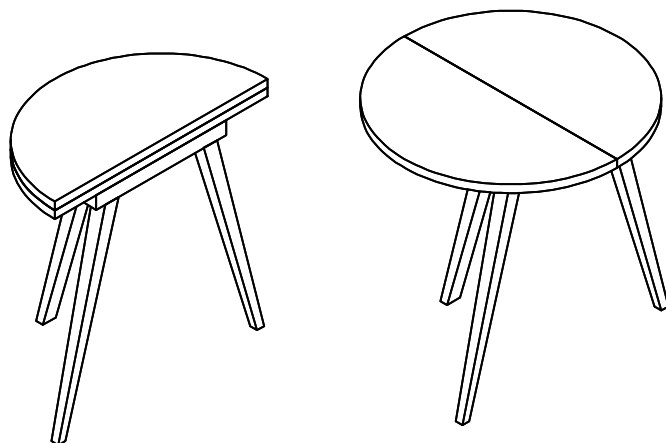


Assembly Instructions

Table - Oak Swivel & Flip Dining Table

ROPO no:

FUTON
C O M P A N Y



PLEASE READ THESE INSTRUCTIONS VERY CAREFULLY BEFORE YOU BEGIN, TO ENSURE THAT YOUR FUTON COMPANY PRODUCT WILL GIVE YOU MANY YEARS OF SATISFACTION

Thank you for buying a Futon Company product.

We are constantly striving to improve everything we do, but occasionally mistakes do occur. In the unlikely event that you find any part missing, please call your nearest Futon Company store and we will arrange for the despatch of an immediate replacement. Please keep all packaging until you have checked every part and assembly of your Futon Company product is complete.

Version number: 1

Product code: T4 SWV DINE

Date: 14/10/19

experts in small space living



Parts Checklist

Please count and check every component very carefully before you begin

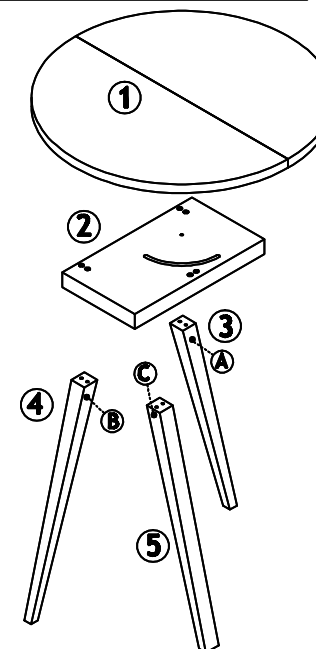
① Table Top x 1

② Table Base x 1

③ Leg A x 1

④ Leg B x 1

⑤ Leg C x 1



Fittings Checklist

Please count and check every component very carefully before you begin



Ⓐ Allen Head Bolt x 7



Ⓑ Allen Key x 1



Ⓒ Anti-slip pad x 3



How To Assemble Your Table

Please follow these instructions carefully

FUTON

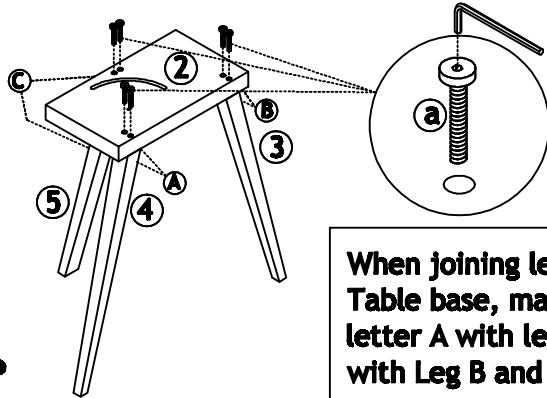
C O M P A N Y



How To Use

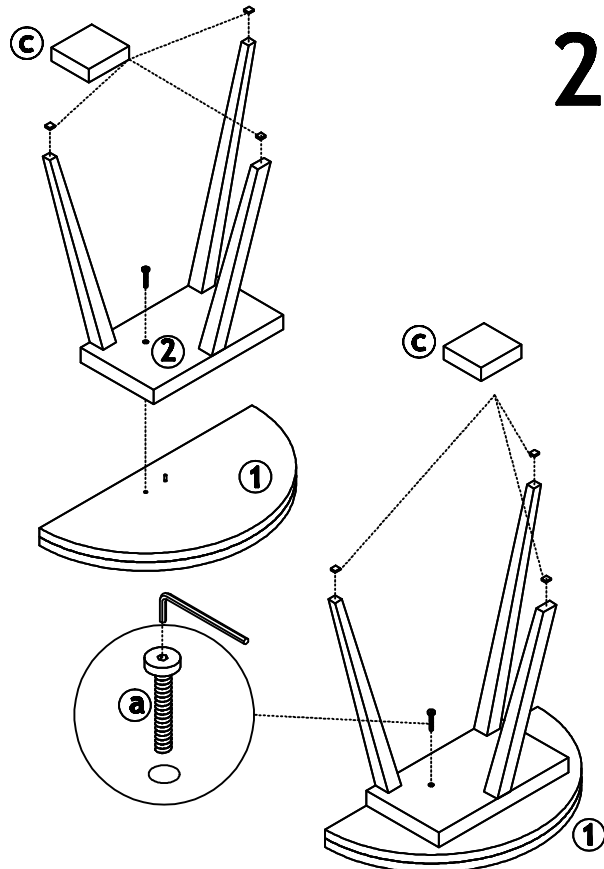
Please read carefully

1.

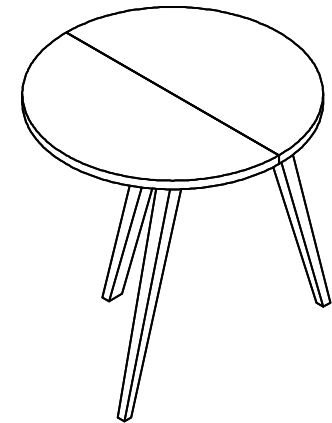
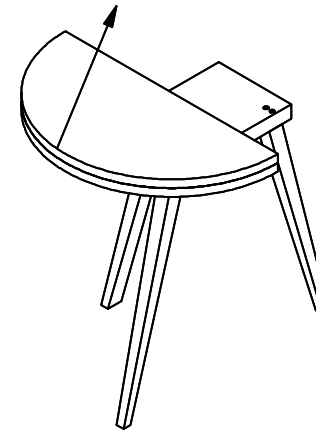
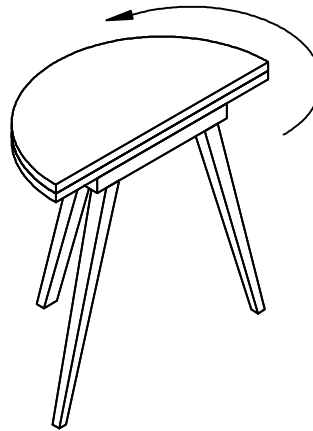


When joining legs onto Table base, match letter A with leg A, B with Leg B and so on.

2.



To open table from semi-circle to full circle, rotate table top 90 degrees and then unfold the top piece so that it rests on the Table Base. To close table simply reverse the action.



FINISH

Your Table is made from solid oak and has an oil and lacquer satin finish.

CARE

To clean your Table, wipe with a damp cloth followed by a dry cloth.

IMPORTANT

To ensure maximum performance from this product, we advise that you check and tighten all bolts and screws on a regular basis to avoid damage and strain to parts.

GUARANTEE

This instruction leaflet forms part of your guarantee. Please retain it. The ROPO number along with your invoice number will need to be quoted in all correspondence with Futon Company.

Thank you for choosing Futon Company