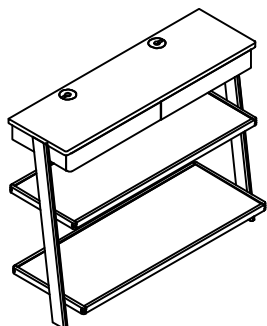


# Assembly Instructions



## Shelving - Oak Leaning TV Unit

ROPO no:



**PLEASE READ THESE INSTRUCTIONS VERY CAREFULLY BEFORE YOU BEGIN, TO ENSURE THAT YOUR FUTON COMPANY PRODUCT WILL GIVE YOU MANY YEARS OF SATISFACTION**

Thank you for buying a Futon Company product.

We are constantly striving to improve everything we do, but occasionally mistakes do occur. In the unlikely event that you find any part missing, please call your nearest Futon Company store and we will arrange for the despatch of an immediate replacement. Please keep all packaging until you have checked every part and assembly of your Futon Company product is complete.

Version number: 2    Product code: ST LN TV UNIT    Date: 05/05/2021

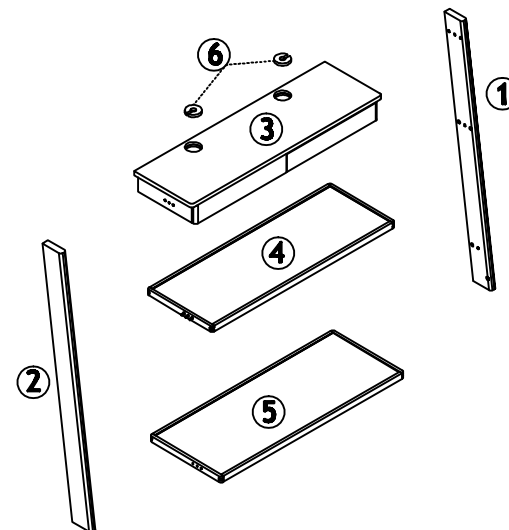
*experts in small space living*



### Parts Checklist

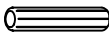



Please count and check every component very carefully before you begin

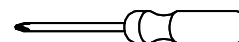
- ① Right Rail x 1
- ② Left Rail x 1
- ③ Drawer x 1
- ④ Shelf A (321mm) x 1
- ⑤ Shelf B (353mm) x 1
- ⑥ Wooden Cover x 2



### Fittings Checklist

Please count and check every component very carefully before you begin

-  ① Wooden Dowel x 6
-  ② Allen Head Bolt x 12
-  ③ Allen Key x 1
-  ④ Anti-slip pad x 4



\* Cross head Screwdriver also required for assembly



## How To Assemble Your TV Unit

Please follow these instructions carefully

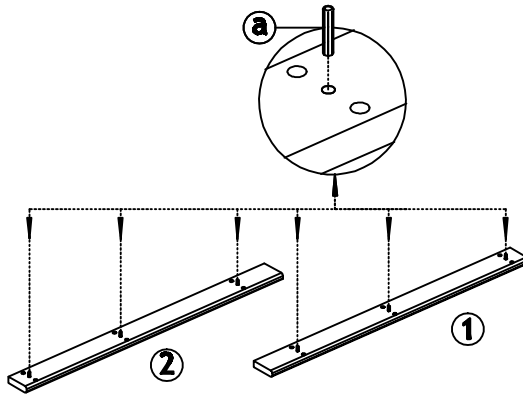
# FUTON

C O M P A N Y

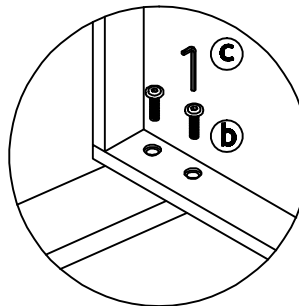


## How To Use

Please read carefully

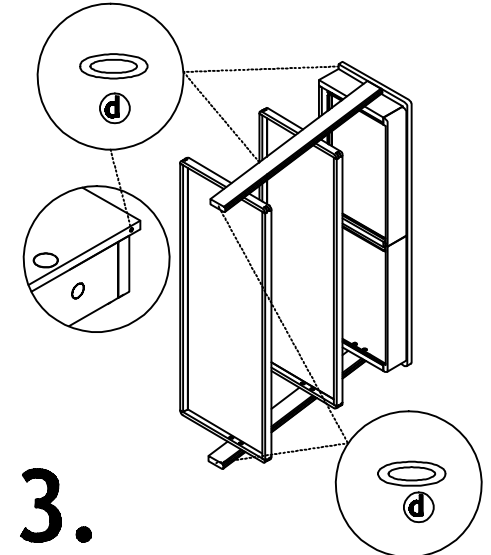
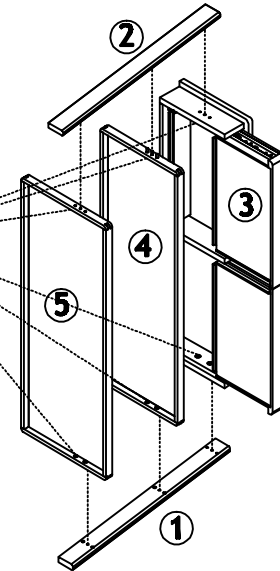


# 1.

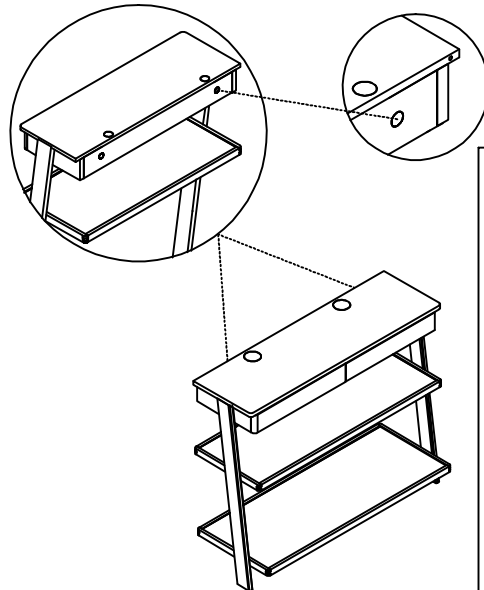


**BEFORE TIGHTENING THE BOLTS, CHECK THAT THE SHELVES ARE THE RIGHT WAY AROUND.**

# 2.



# 3.

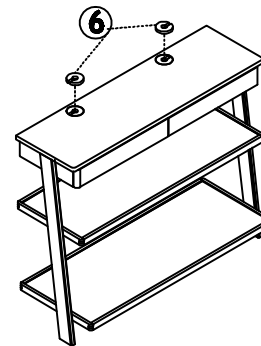


# 4.

To ensure that your TV unit remains secure you must fix it to the wall using the two fixing holes provided on the back of your TV unit. Screw fixings to attach the unit to the wall are not included as different wall materials require different types of fixing. Contact your local specialised hardware store for advice on suitable fixing. Open the drawers to allow access to fixing holes from the underside of Drawer unit.

Also for safety reasons, we advise you to fix this item to the wall if young children or boisterous dogs are liable to bang into it. Never allow children to climb on furniture.

# 5.



### FINISH

Your TV Unit is made from solid Oak and Oak veneer

### CARE

To clean your TV Unit, wipe with a damp cloth followed by a dry cloth.

### IMPORTANT

To ensure maximum performance from this product, we advise that you check and tighten all bolts and screws on a regular basis to avoid damage and strain to parts.

### GUARANTEE

This instruction leaflet forms part of your guarantee. Please retain it. The ROPO number along with your invoice number will need to be quoted in all correspondence with Futon Company.

Thank you for choosing Futon Company.