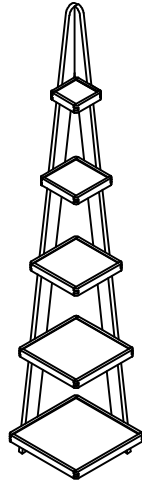


## Assembly Instructions

# Storage - Oak Corner Ladder Shelf (V3 RND)

ROPO no:



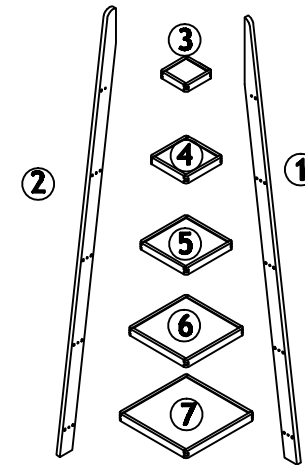
**FUTON**  
C O M P A N Y



## Parts Checklist

Please count and check every component very carefully before you begin

- ① Right Rail x 1
- ② Left Rail x 1
- ③ Shelf A x 1 (130mm)
- ④ Shelf B x 1 (169mm)
- ⑤ Shelf C x 1 (232mm)
- ⑥ Shelf D x 1 (287mm)
- ⑦ Shelf E x 1 (335mm)



**PLEASE READ THESE INSTRUCTIONS VERY CAREFULLY BEFORE YOU BEGIN, TO ENSURE THAT YOUR FUTON COMPANY PRODUCT WILL GIVE YOU MANY YEARS OF SATISFACTION**

Thank you for buying a Futon Company product.

We are constantly striving to improve everything we do, but occasionally mistakes do occur. In the unlikely event that you find any part missing, please call your nearest Futon Company store and we will arrange for the despatch of an immediate replacement. Please keep all packaging until you have checked every part and assembly of your Futon Company product is complete.






Version number: 2    Product code: ST SHLF LD CNR 3    Date: 25/02/20

*experts in small space living*



## Fittings Checklist

Please count and check every component very carefully before you begin

-  **a** Wooden Dowel x 6
-  **b** Allen Head Bolt x 18
-  **c** Allen Key x 1
-  **d** Screw x 4
-  **e** Anti-slip pad x 4

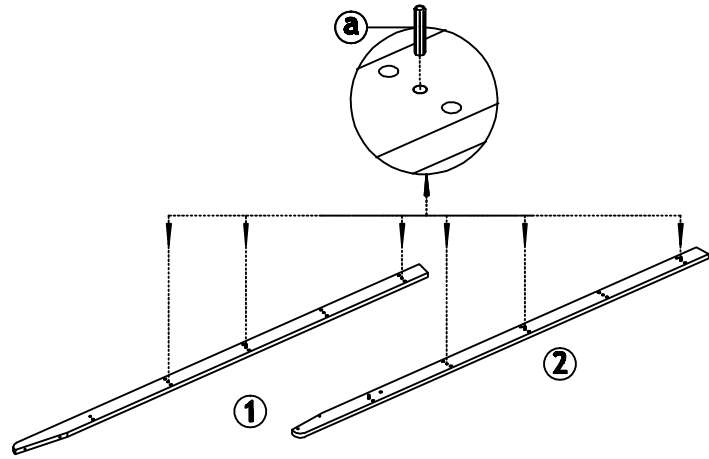


# How To Assemble Your Corner Ladder Shelf

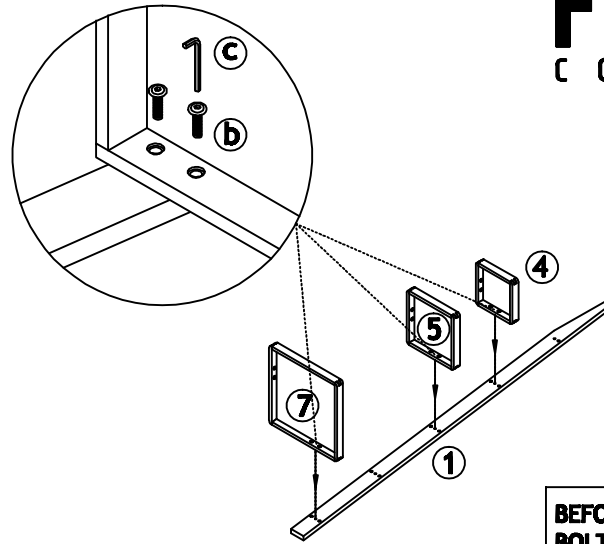
Please follow these instructions carefully

# FUTON

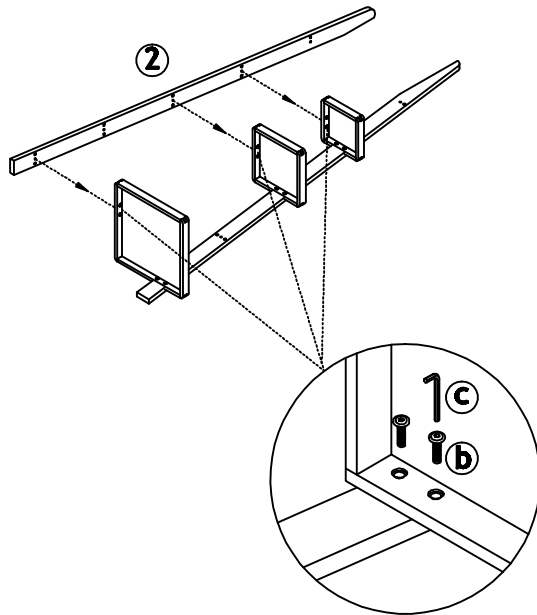
C O M P A N Y



1. 2.



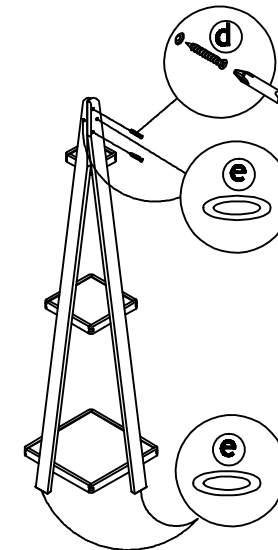
BEFORE TIGHTENING THE BOLTS, CHECK THAT THE SHELVES ARE THE RIGHT WAY AROUND.



3. 4.

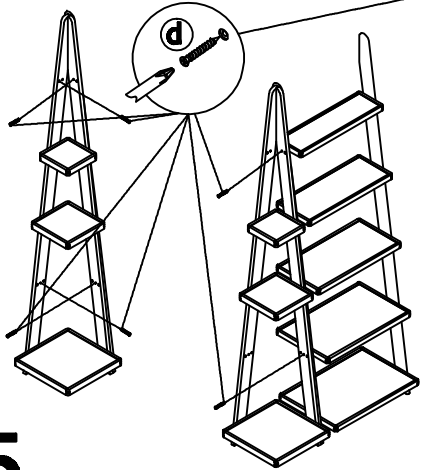
When Tightening the screws, check all the Rails are in the right position.

To Ensure the unit remains stable, either use the non slip feet provided (Part e) or for added stability fix to the wall through the hole on part 1&2 (screws and fittings to attach to wall are not supplied).



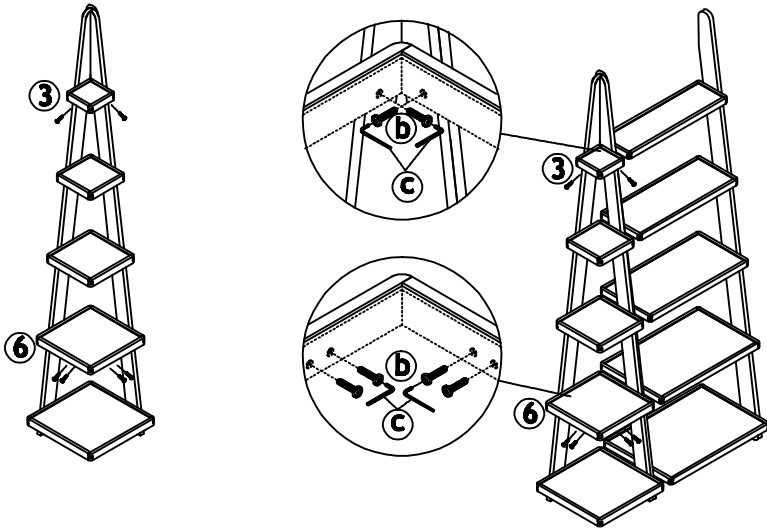
## How To Assemble Your Corner Ladder Shelf

Please follow these instructions carefully



To fix your corner shelf to another shelf use the two screw holes as shown in the diagram. Screw holes are located on each side of corner shelf depending which side of the shelf it is being fixed to. For safety reasons, we advise you to fix this item to the wall if young children or boisterous dogs are liable to bang into it. Never allow children to climb on furniture.

5.



6.

**FUTON**  
C O M P A N Y



## How To Use

Please read carefully

### FINISH

Your Shelf is made from solid Oak and Oak veneer

### CARE

To clean your Shelf, wipe with a damp

cloth followed by a dry cloth.

### IMPORTANT

To ensure maximum performance from this product, we advise that you check and tighten all bolts and screws on a regular basis to avoid damage

and strain to parts.

### GUARANTEE

This instruction leaflet forms part of your guarantee. Please retain it. The ROPO number along with your invoice number will need to be quoted in all correspondence with Futon Company.

Thank you for choosing Futon Company.