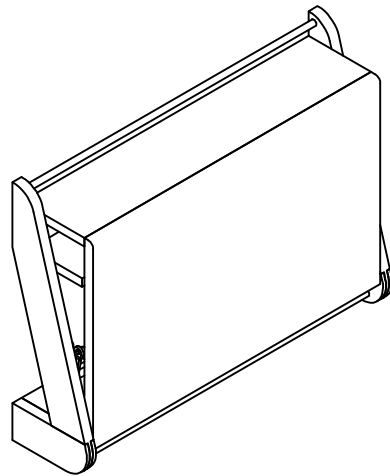


Assembly Instructions

FUTON
C O M P A N Y

Desk - Oak Quill Wall Desk

ROPO no:



PLEASE READ THESE INSTRUCTIONS VERY CAREFULLY BEFORE YOU BEGIN, TO ENSURE THAT YOUR FUTON COMPANY PRODUCT WILL GIVE YOU MANY YEARS OF SATISFACTION

Thank you for buying a Futon Company product.

We are constantly striving to improve everything we do, but occasionally mistakes do occur. In the unlikely event that you find any part missing, please call your nearest Futon Company store and we will arrange for the despatch of an immediate replacement. Please keep all packaging until you have checked every part and assembly of your Futon Company product is complete.

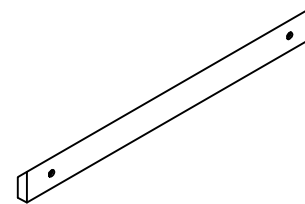
Version number: 1 Product code: T2 QUILL WALL DESK Date: 01/03/2021

experts in small space living

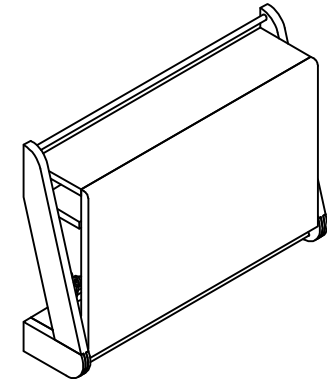


Parts Checklist

Please count and check every component very carefully before you begin



① Desk Hanging Bar x 1

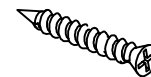


② Quill Wall Desk x 1

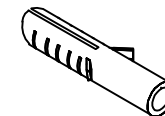


Fittings Checklist

Please count and check every component very carefully before you begin



① a Screw x 2



② b Wall fixing x 2



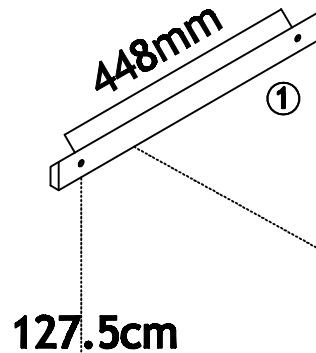
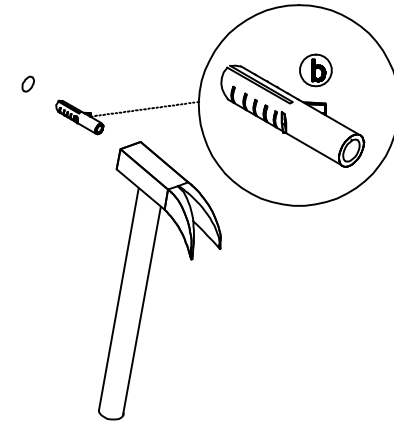
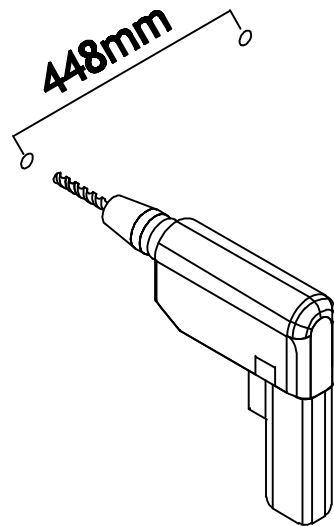
How To Assemble Your Desk

Please follow these instructions carefully

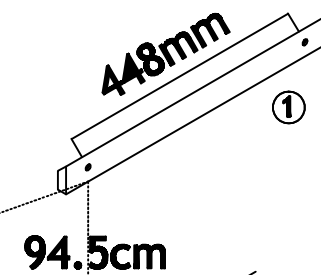
Fittings are supplied to fix your Quill Wall Desk to the wall. However different wall types require different fittings (so a different fitting to the type provided may need to be purchased to suit your wall). If you are unsure of the correct fitting please contact your local specialised hardware store for advice and to purchase the correct fitting.

To fix the Desk Hanging Bar to the wall, first place it by hand at the desired height and location. **MAKE SURE THAT THE DESK HANGING BAR IS COMPLETELY LEVEL.** Then use the two holes to mark the drilling points on the wall. Your drilling points will be 448 mm apart.

When you are ready to attach the Desk Hanging Bar to the wall, make sure that the angled edge is facing up to the ceiling, ready to receive the desk when hung.



Standing Desk Wall mounting height for hanging bar.

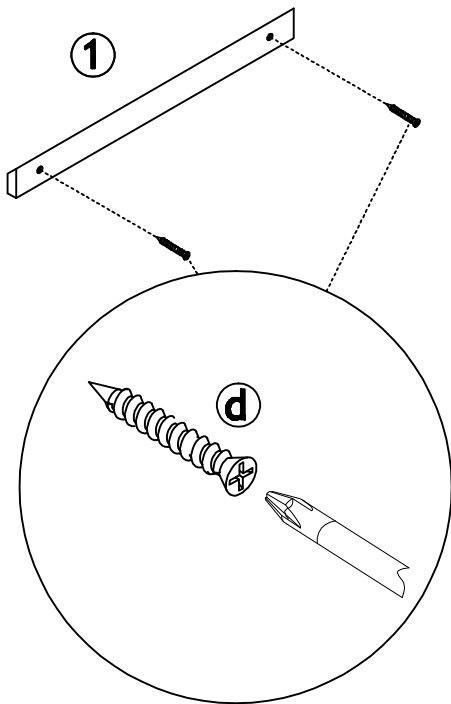


Sitting Desk Wall mounting height for hanging bar.

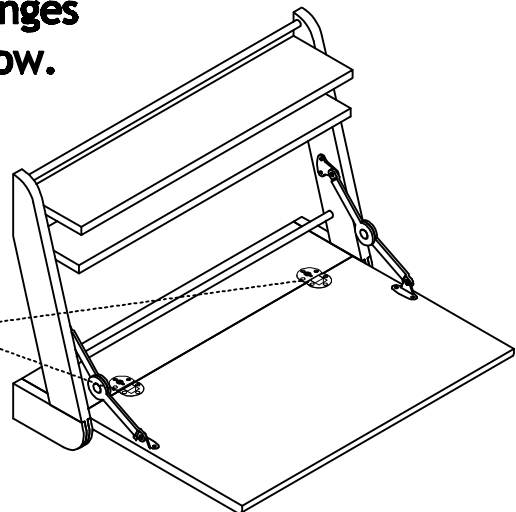
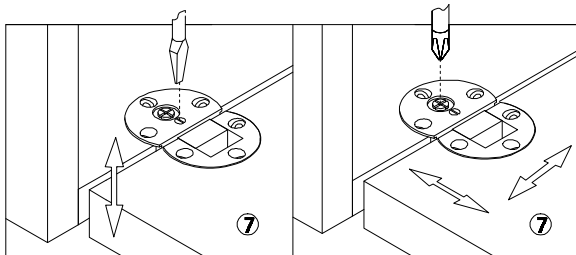
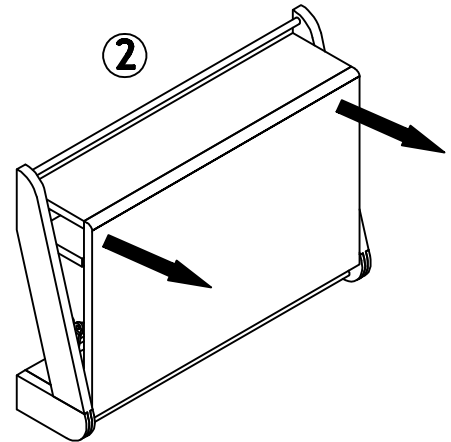
1.



Please read carefully



Sometimes you may want to make a small adjustment to the alignment of the desk front, this can be done using the adjustable hinges as shown below.



2.

FINISH

Your Desk is made from solid Oak.

CARE

To clean your Desk, wipe with a damp cloth followed by a dry cloth.

IMPORTANT

To ensure maximum performance from this product, we advise that you check and tighten all bolts and screws on a regular basis to avoid damage and strain to parts.

GUARANTEE

This instruction leaflet forms part of your guarantee. Please retain it. The ROPO number along with your invoice number will need to be quoted in all correspondence with Futon Company.

Thank you for choosing Futon Company.