

ASSEMBLY INSTRUCTION

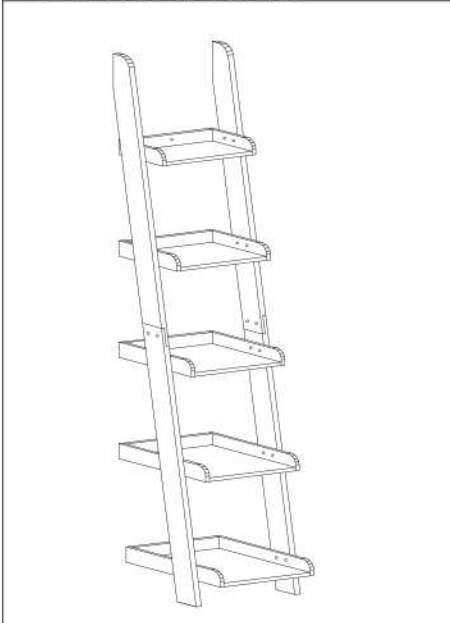
FUTON
C O M P A N Y

PRODUCT CODE :
ST SHELF RBR NRW

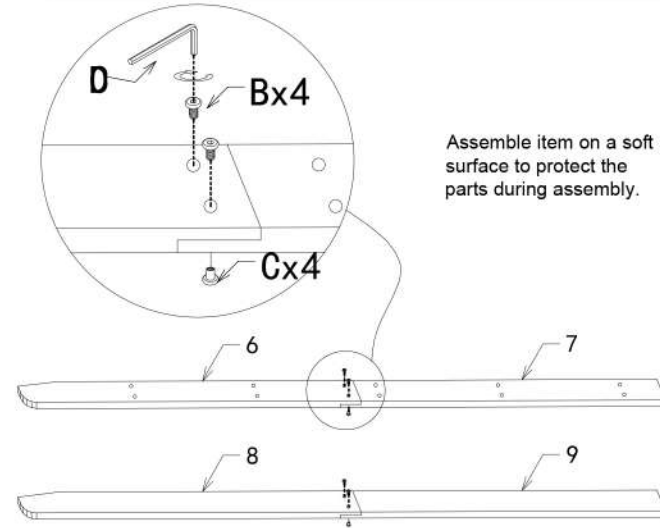
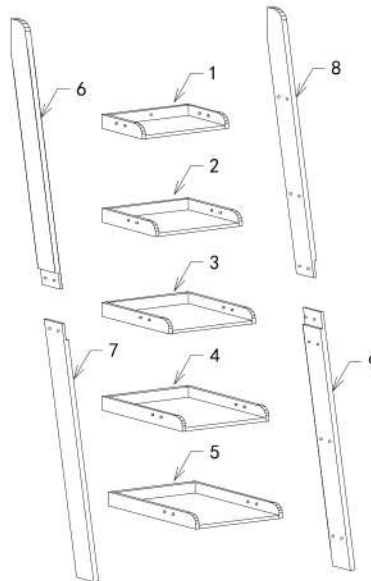
HARDWARE
LIST

PARTS LIST

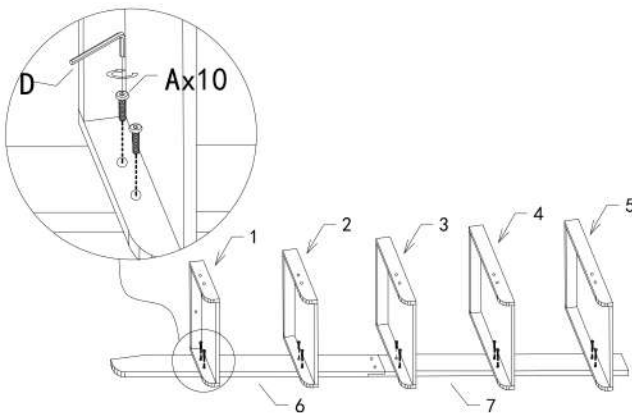
01



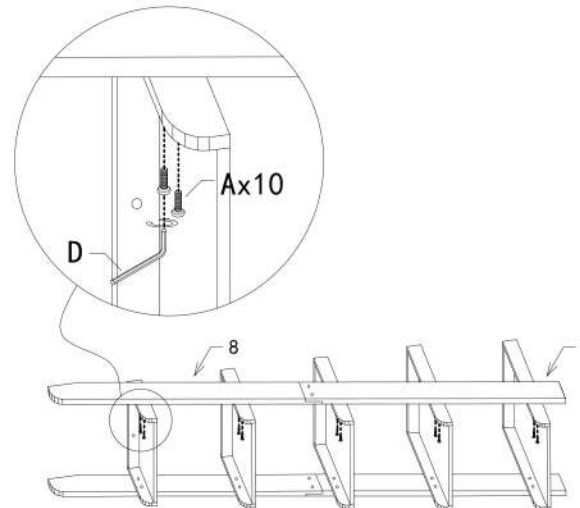
- Ax20
- Bx4
- Cx4
- Dx1
- Ex4
- Fx1
- Gx1



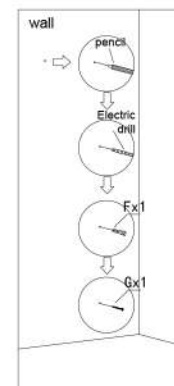
02



03



04



Follow step 4 to fix unit to wall. Fitting F is a standard wall fitting. For details on suitable fixing for your wall type seek advice from your local hardware store.

