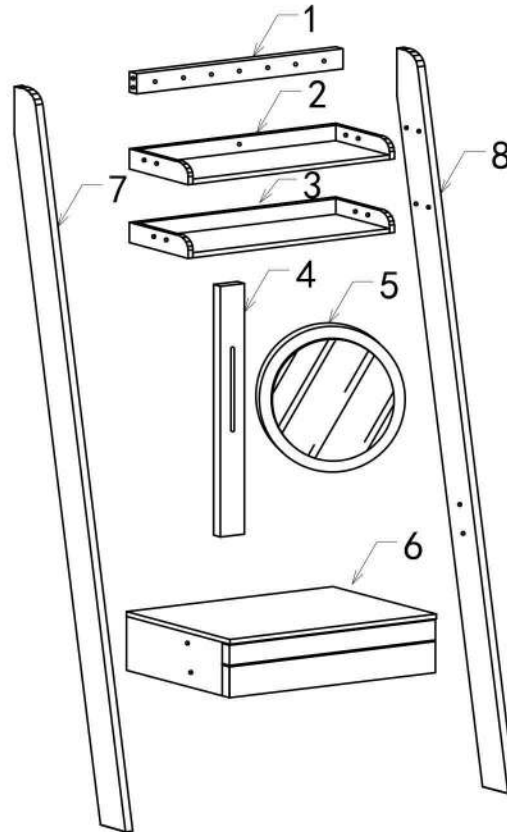
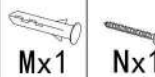
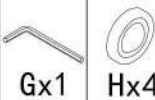
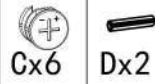
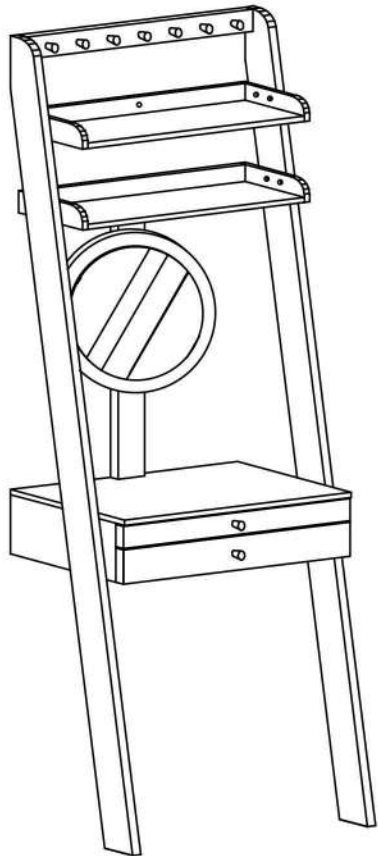


ASSEMBLY INSTRUCTION

PRODUCT CODE :
T4 LAD DRS TBL RBR

HARDWARE LIST

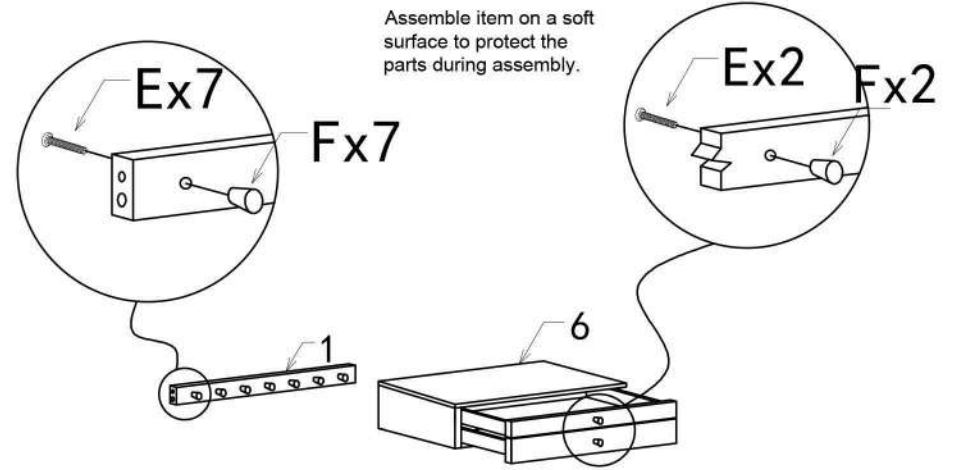
PARTS LIST



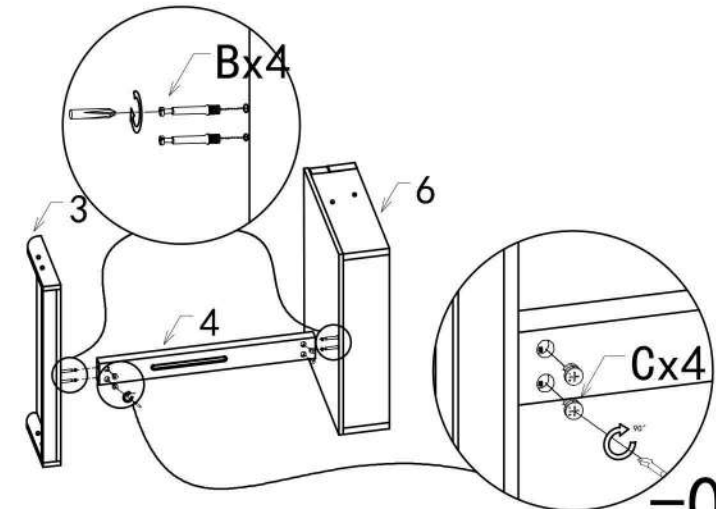
01



Assemble item on a soft surface to protect the parts during assembly.

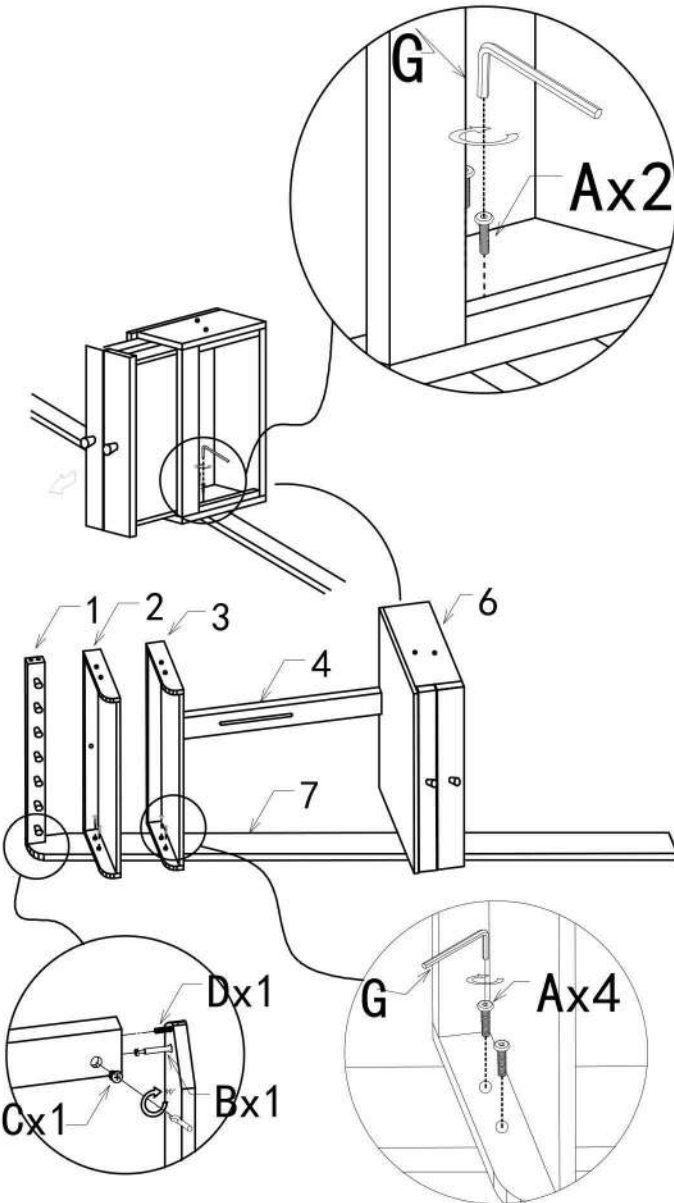


02

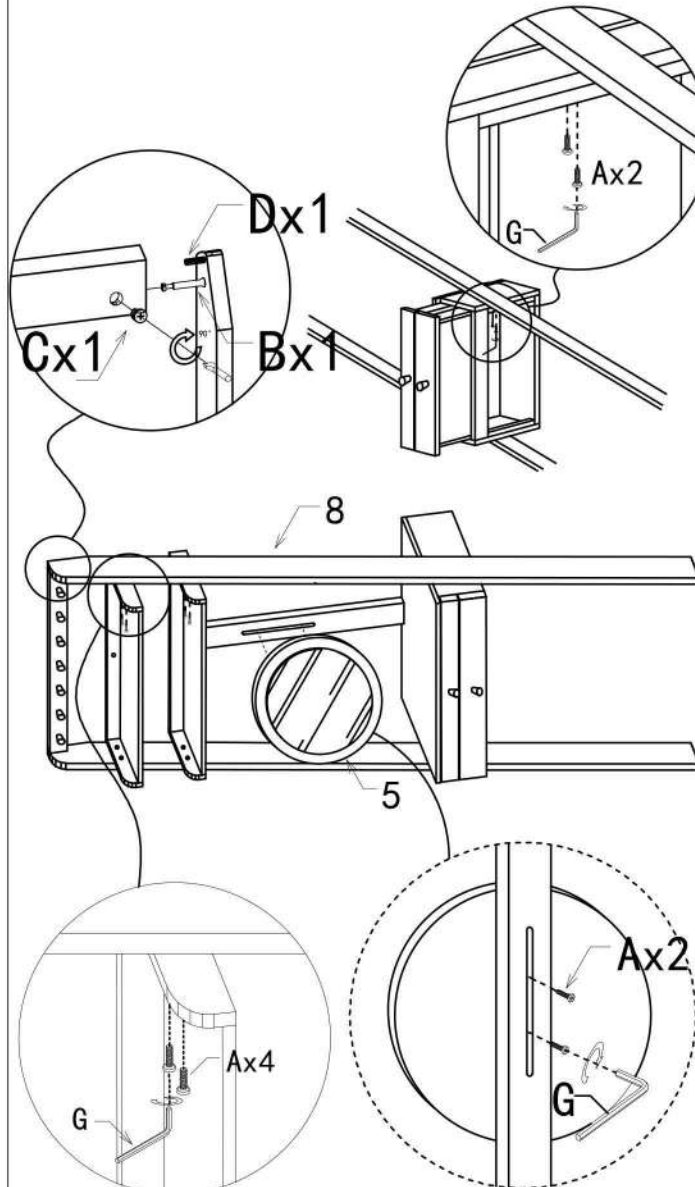


ASSEMBLY INSTRUCTION

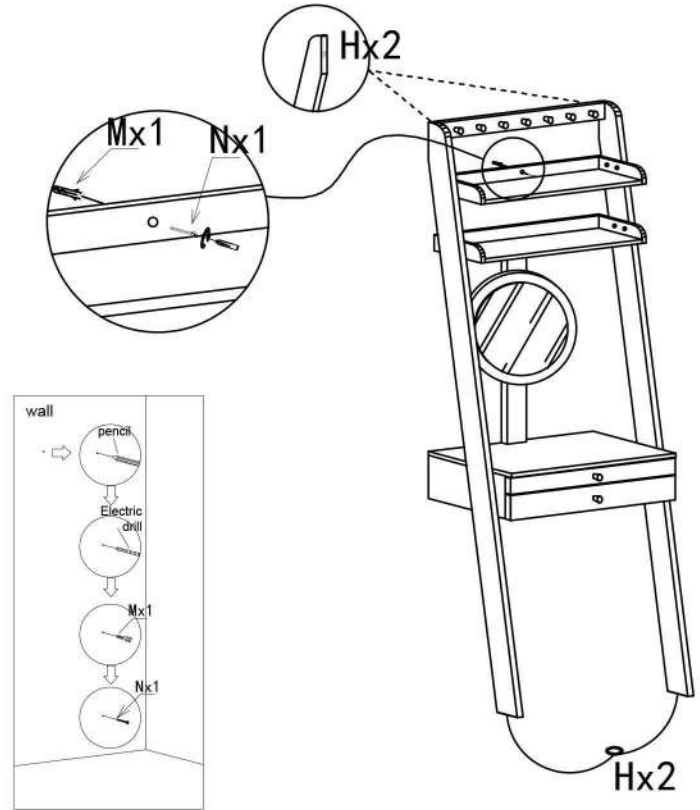
03



04



05



Follow step 5 to fix unit to wall. Fitting M is a standard wall fitting. For details on suitable fixing for your wall type seek advice from your local hardware store.

We recommend this unit is fixed to the wall for stability and security. For safety reasons, we advise you to fix this item to the wall if young children or boisterous dogs are liable to bang into it. Never allow children to climb on furniture.