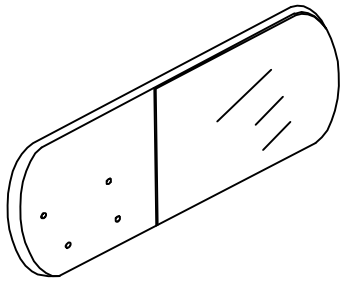


ROPO09307
MIRROR WAL LOZ



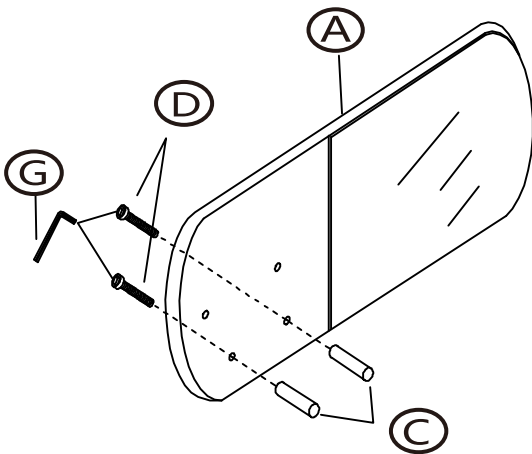
(A) x1



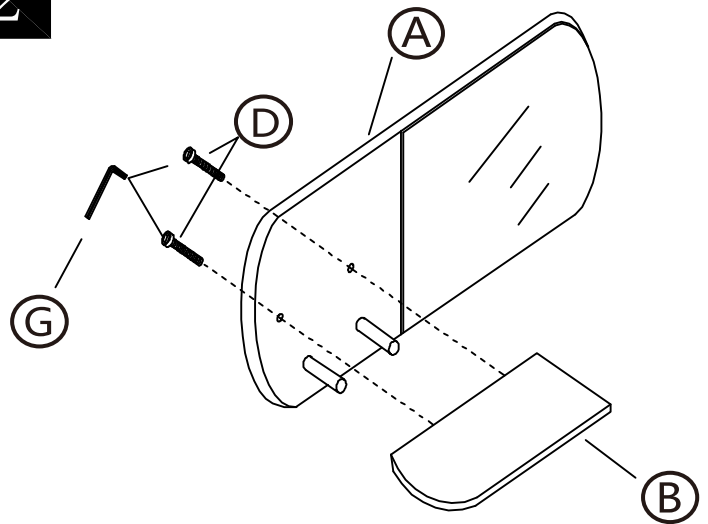
(B) x1

- (C) x2
- (D) x4
6*20mm
- (E) x2
4*30mm
- (F) x2
6*30mm
- (G) x1

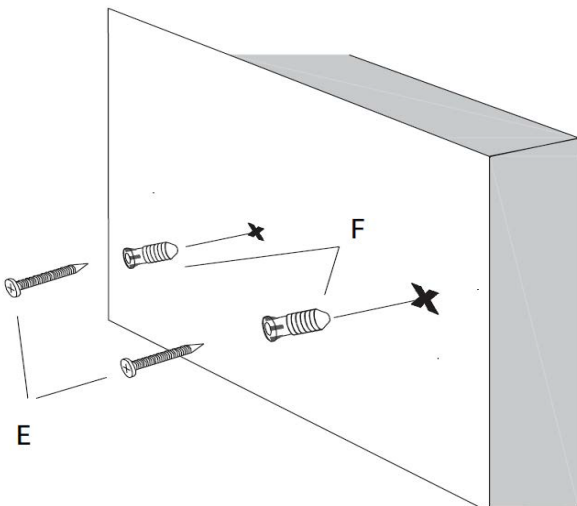
1



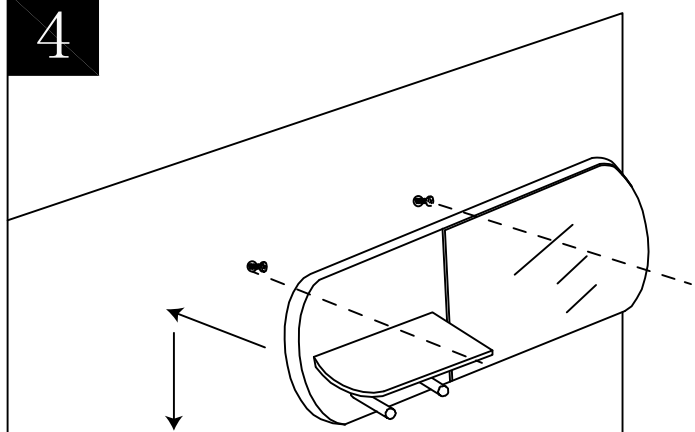
2



3



4



Fittings to attach your mirror to the wall are supplied. But different wall constructions require fittings that are suitable for your wall type. If you are unsure for the correct type of fitting for your wall, please contact your local specialised hardware store for information on suitable fitting.