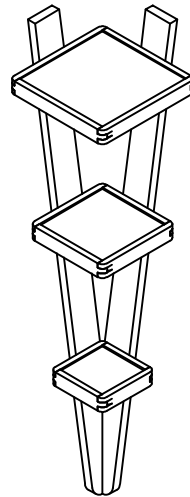


Assembly Instructions

FUTON C O M P A N Y

Shelving - Oak Rounded LOW Corner Ladder Shelf - Lacquered Oak

ROPO no:



PLEASE READ THESE INSTRUCTIONS VERY CAREFULLY BEFORE YOU BEGIN, TO ENSURE THAT YOUR FUTON COMPANY PRODUCT WILL GIVE YOU MANY YEARS OF SATISFACTION

Thank you for buying a Futon Company product.

We are constantly striving to improve everything we do, but occasionally mistakes do occur. In the unlikely event that you find any part missing, please call your nearest Futon Company store and we will arrange for the despatch of an immediate replacement. Please keep all packaging until you have checked every part and assembly of your Futon Company product is complete.

Version number: 1 Product code: ST SHLF LD CNR LOW OAK Date: 12/07/20

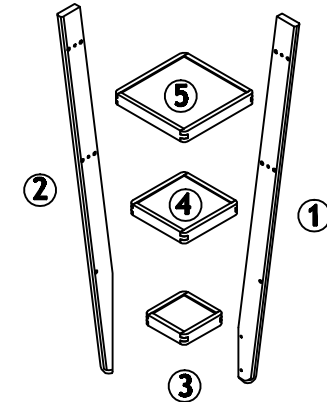
experts in small space living



Parts Checklist

Please count and check every component very carefully before you begin

- ① Right Rail x 1
- ② Left Rail x 1
- ③ Shelf A x 1 (130mm)
- ④ Shelf B x 1 (169mm)
- ⑤ Shelf C x 1 (232mm)



Fittings Checklist

Please count and check every component very carefully before you begin



Ⓐ Wooden Dowel x 4



Ⓑ Allen Head Bolt x 10



Ⓒ Allen Key x 1



Ⓓ (4x25mm) Screw x 2



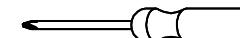
Ⓔ (4x35mm) Screw x 4



Ⓕ Wall fixing x 4



Ⓖ Wooden Cap x 4



* Cross head Screwdriver also required for assembly

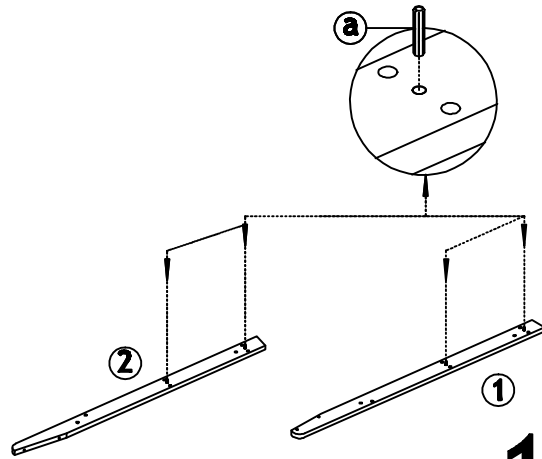


How To Assemble Your Corner Shelf

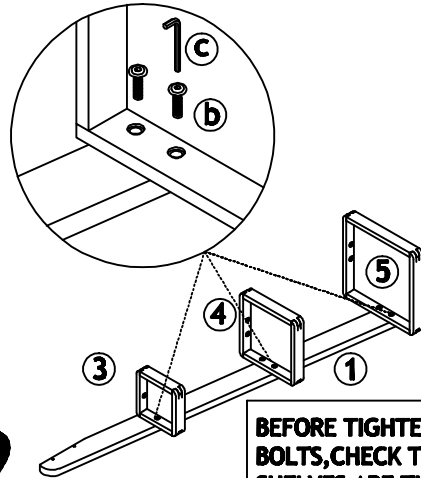
Please follow these instructions carefully

FUTON

COMPANY



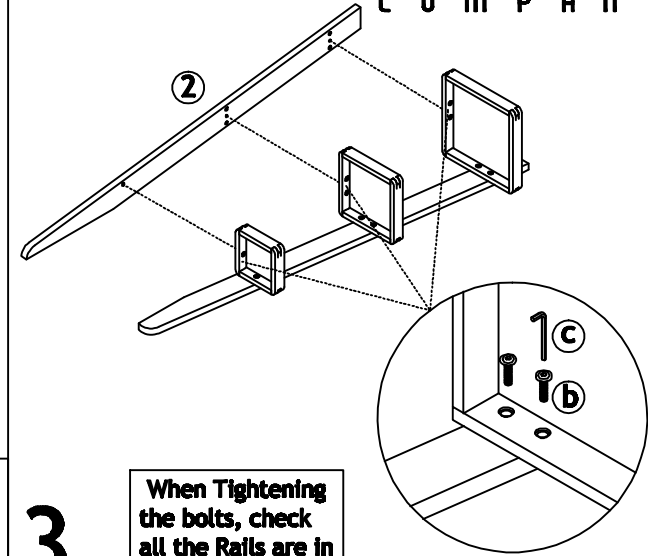
1.



2.

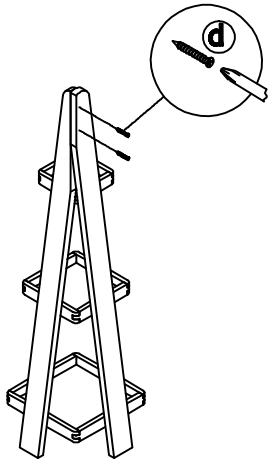
BEFORE TIGHTENING THE BOLTS, CHECK THAT THE SHELVES ARE THE RIGHT WAY AROUND.

3.



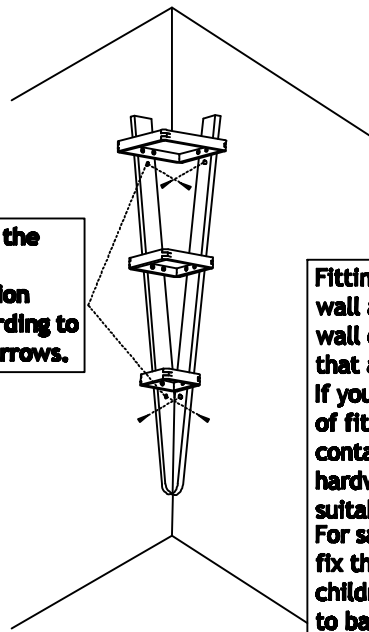
When Tightening the bolts, check all the Rails are in the right position.

4.

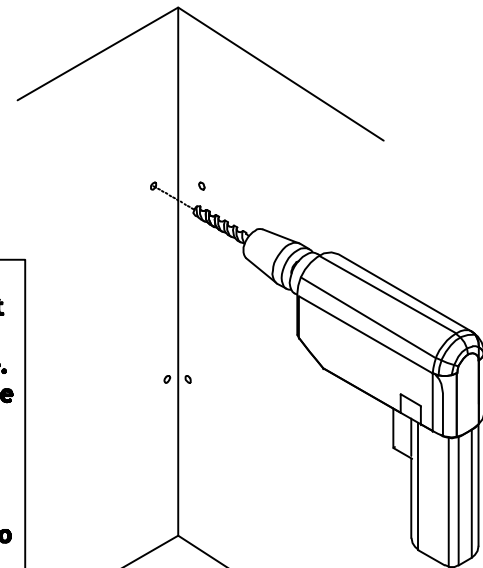


5.

Mark the hole position according to the arrows.



Fittings to secure your shelf to the wall are not supplied. But different wall constructions require fittings that are suitable for your wall type. If you are unsure of the correct type of fitting for your wall, please contact your local specialised hardware store for information on suitable fitting. For safety reasons, we advise you to fix this item to the wall if young children or boisterous dogs are liable to bang into it. Never allow children to climb on furniture.





How To Assemble Your Corner Shelf

Please follow these instructions carefully

FUTON

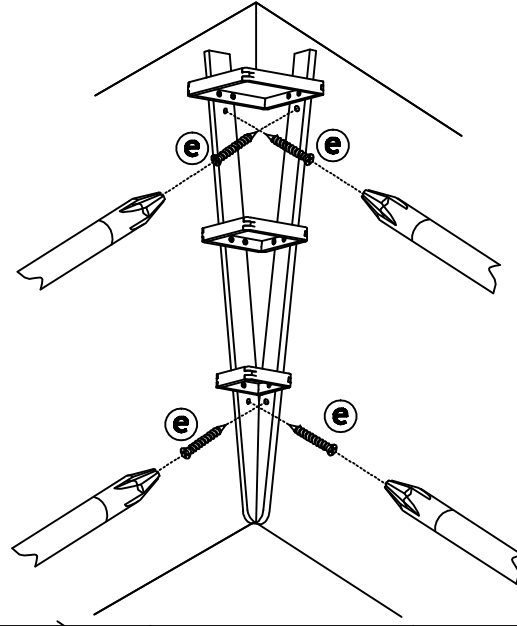
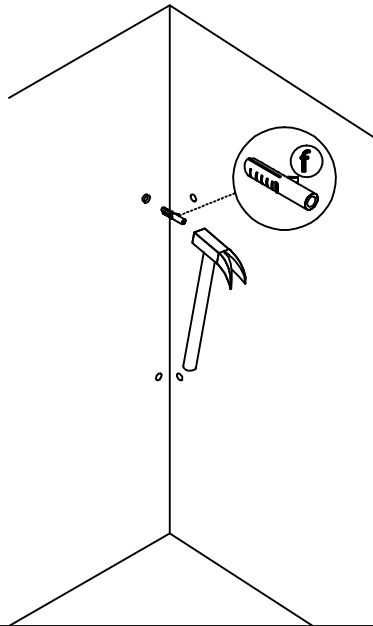
C O M P A N Y



How To Use

Please read carefully

6.



7.

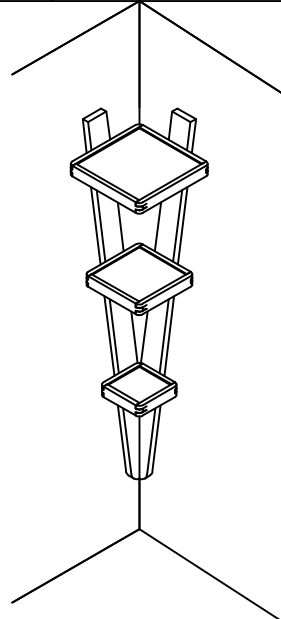
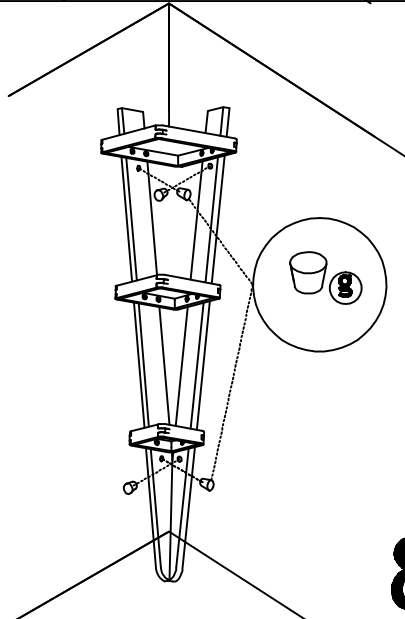
FINISH
Your Shelf is made from solid Oak and has an oiled finish.

CARE
To clean your Shelf, wipe with a damp cloth followed by a dry cloth.

IMPORTANT
To ensure maximum performance from this product, we advise that you check and tighten all bolts and screws on a regular basis to avoid damage.

GUARANTEE
This instruction leaflet forms part of your guarantee, please retain it. The ROPO number along with your invoice number will need to be quoted in all correspondence with Futon Company.
Thank you for choosing Futon Company.

8.



9.

10.

These shelves can be used either way up, follow note in step 5 for how to fix to wall.

