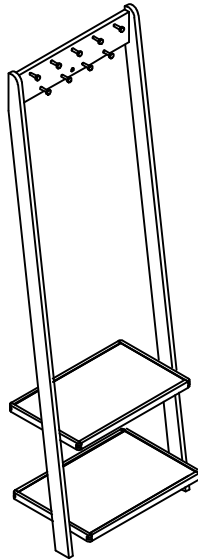


# Assembly Instructions



## Storage - Oak Hallway Leaning Clothes Ladder (V3 RND)

ROPO no:



**PLEASE READ THESE INSTRUCTIONS VERY CAREFULLY BEFORE YOU BEGIN, TO ENSURE THAT YOUR FUTON COMPANY PRODUCT WILL GIVE YOU MANY YEARS OF SATISFACTION**

Thank you for buying a Futon Company product.

We are constantly striving to improve everything we do, but occasionally mistakes do occur. In the unlikely event that you find any part missing, please call your nearest Futon Company store and we will arrange for the despatch of an immediate replacement. Please keep all packaging until you have checked every part and assembly of your Futon Company product is complete.

Version number: 1    Product code: ST LN CLOTH V3    Date: 25/02/20

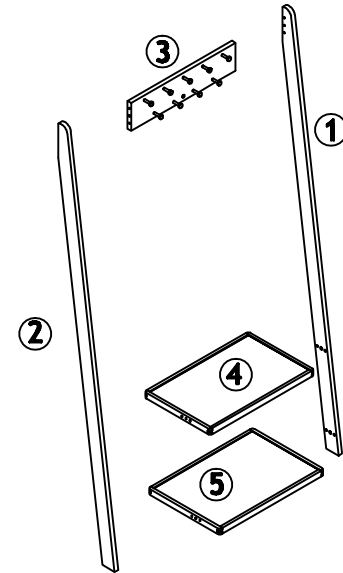
*experts in small space living*



## Parts Checklist










Please count and check every component very carefully before you begin

- ① Right Rail x 1
- ② Left Rail x 1
- ③ Back Board x 1
- ④ Middle Shelf x 1 (512x321mm)
- ⑤ Big Shelf x 1 (512x353mm)



## Fittings Checklist

Please count and check every component very carefully before you begin

-  **a** Wooden Dowel x 8
-  **b** Bolt x 2
-  **c** Pressure Plate x 2
-  **d** Nut x 2
-  **e** Small Spanner x 1
-  **f** Allen Head Bolt x 8
-  **g** Wooden Cap x 1
-  **i** Anti-slip pad x 4
-  **j** Allen Key x 1



# How To Assemble Your Shelf

Please follow these instructions carefully

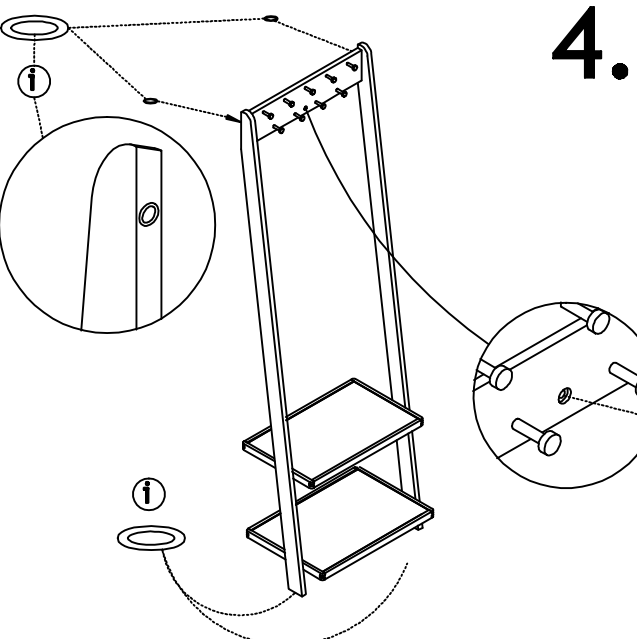
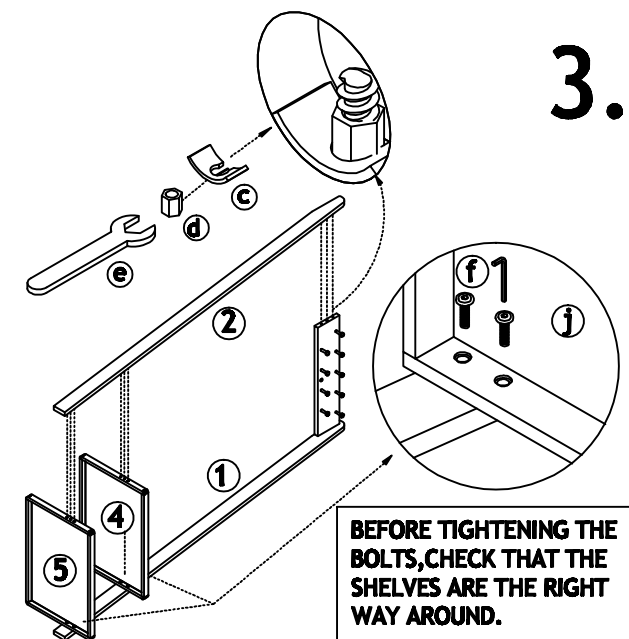
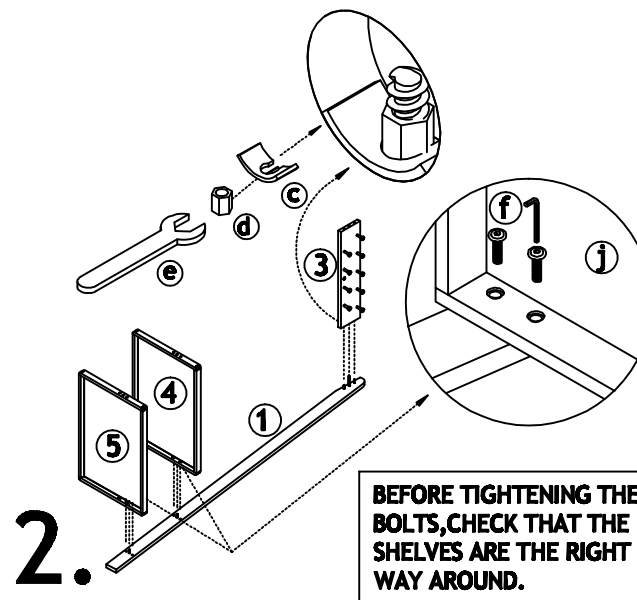
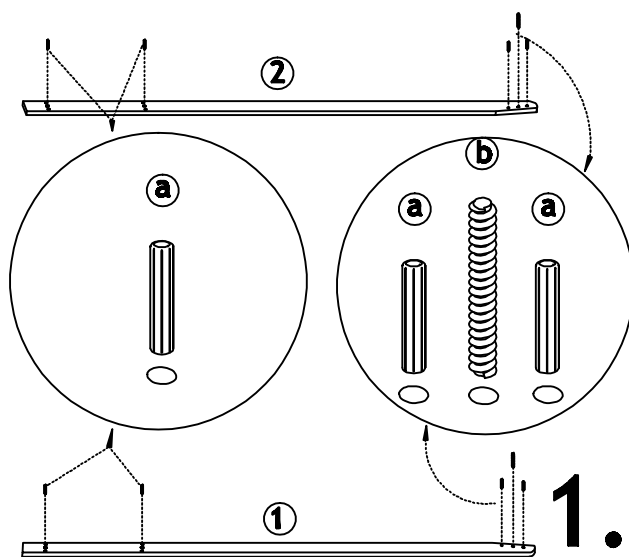
# FUTON

C O M P A N Y



# How To Use

Please read carefully



## FINISH

Your Shelf is made from solid Oak and Oak veneer

## CARE

To clean your Shelf wipe with a damp cloth followed by a dry cloth.

## IMPORTANT

To ensure maximum performance from this product, we advise that you check and tighten all bolts and screws on a regular basis to avoid damage and strain to parts.

## GUARANTEE

This instruction leaflet forms part of your guarantee. Please retain it. The ROPO number along with your invoice number will need to be quoted in all correspondence with Futon Company.

Thank you for choosing Futon Company.

To ensure the unit remains stable, either use the anti-slip pads provided, or for added stability fix to the wall through the hole on part 3 (screws and fittings to attach to wall are not supplied). Use fitting G to cover hole for screw. For safety reasons, we advise you to fix this item to the wall if young children or boisterous dogs are liable to bang into it. Never allow children to climb on furniture.